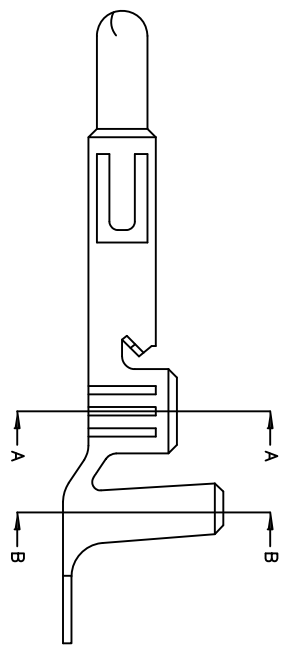
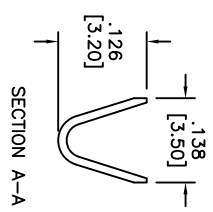
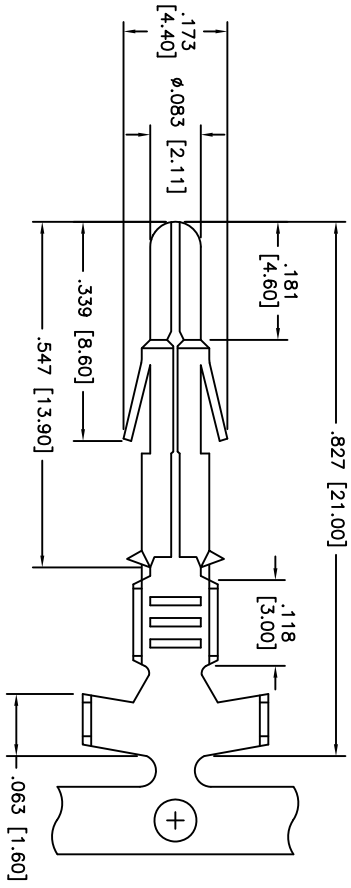


Rev	AWO #	Description	Date	Appr
-		RELEASED	3/10/11	

APPROVED: \_\_\_\_\_

DATE: \_\_\_\_\_ TITLE: \_\_\_\_\_



**SPECIFICATIONS:**

- Material: \_\_\_\_\_
- Contacts: Brass
- Plating: \_\_\_\_\_
- Tin over Copper underplate overall
- Electrical: \_\_\_\_\_
- Voltage rating: 600V
- Current rating: 13A
- Temperature Rating: \_\_\_\_\_
- Operating temperature: -55°C to +105°C
- Environmental: \_\_\_\_\_
- Lead free, RoHS compliant.



**ADAM TECH**

909 Rahway Avenue, Union, NJ 07083  
 Phone: 908-687-5000 Fax: 908-687-5710

TITLE: CRIMP CONTACT, DME SERIES  
 TIN PLATED

UNLESS OTHERWISE SPECIFIED ALL DIMENSIONS ARE INCHES [MM]	
TOLERANCES: EXCEPT AS NOTED	
INCHES	HOLDS
.X ± .10	ØX ± .10
.XX ± .020	ØXXX ± .015
.XXX ± .015	ØXXXX ± .010
APPROVALS	DATE
DRAWN DY	3/10/11
CHECKED	
APPROVED	

SIZE X	PART NO. DME-C-M-2	REV.
REF: S00123T	SCALE: NTS	SHEET 1 OF 1