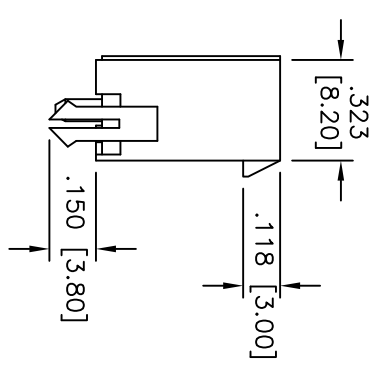
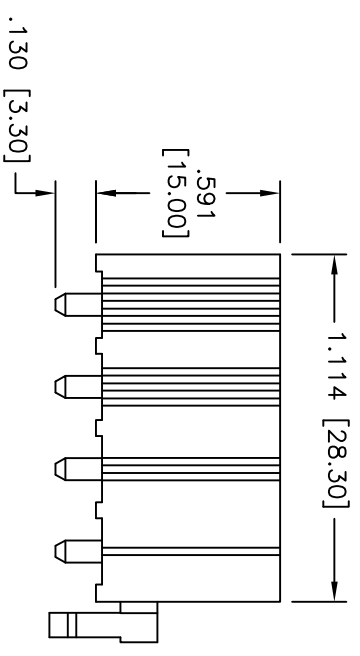
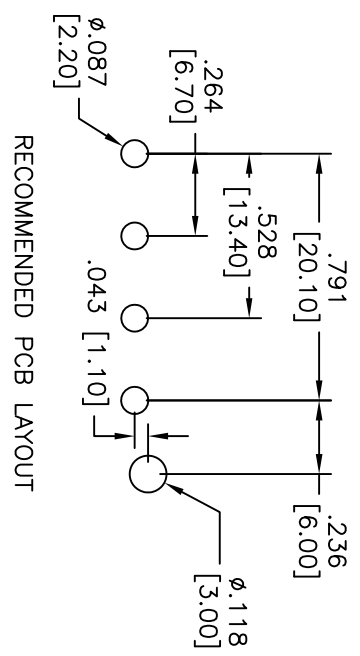
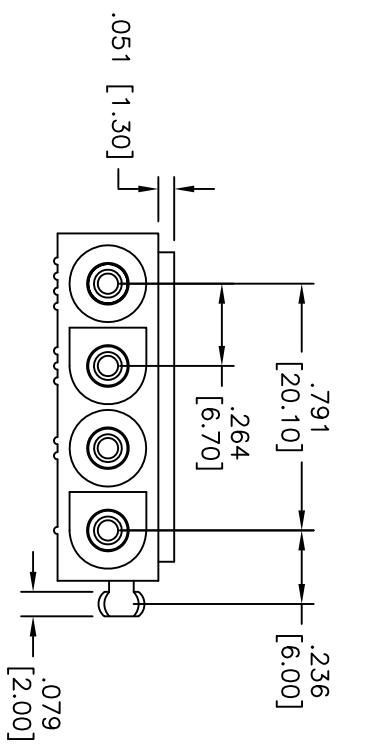


Rev	AWO #	Description	Date	Appr
-		RELEASED	1/19/11	

APPROVED: _____
 DATE: _____ TITLE: _____



SPECIFICATIONS:

Material:
 Insulator: Nylon66, rated UL94V-2
 Insulator color: Natural
 Contact: Brass, Tin plated
Electrical:
 Current rating: 9A AC, DC
 Voltage rating: 600V AC, DC
 Dielectric withstanding voltage: 5000V AC rms
 Ambient temperature range: -40°C to +105°C
Environmental:
 Lead free, RoHS compliant.
 Recommended soldering temp: 235°C for 5 sec.



UNLESS OTHERWISE SPECIFIED
 ALL DIMENSIONS ARE INCHES [MM]
 TOLERANCES: EXCEPT AS NOTED

INCHES	HOLES
.X ± .10	ØX ± .10
.XX ± .020	ØXX ± .015
.XXX ± .015	ØXXX ± .010

APPROVALS

DRAWN	DY	DATE
CHECKED		
APPROVED		

ADAM TECH
 909 Railway Avenue, Union, NJ 07083
 Phone: 908-687-5000 Fax: 908-687-5710

TITLE: .264 [6.70] WIRE TO BOARD, A TYPE
 4 POLES, VERTICAL

SIZE	PART NO.	DME-A-04-V	REV.
X			-
REF:	S00123T	SCALE: NTS	SHEET 1 OF 1