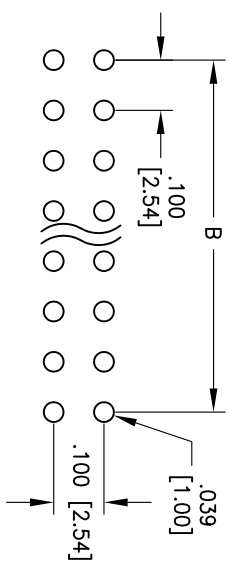
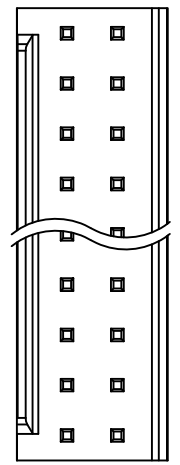
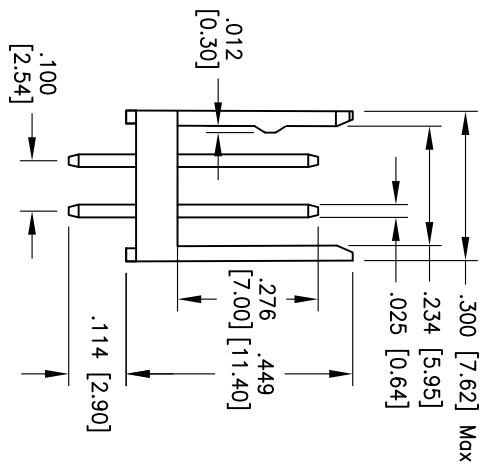
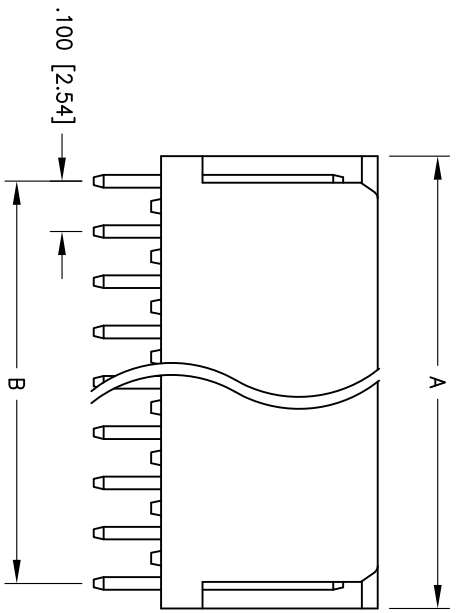


Rev	AWO #	Description	Date	Appr
-		RELEASED	4/19/10	

APPROVED: \_\_\_\_\_  
 DATE: \_\_\_\_\_ TITLE: \_\_\_\_\_



RECOMMENDED PCB LAYOUT



**SPECIFICATIONS:**

Material: Nylon 66, rated UL 94V-0  
 Insulator color: Black  
 Contacts: Brass  
 Plating:  
 Tin over Copper underplate overall.

Electrical:  
 Operating voltage: 250 VAC max  
 Current rating: 3 Amps max  
 Contact resistance: 20 mohms max  
 Insulation resistance: 1,000 Mohms min  
 Dielectric withstanding voltage: 600 VAC for 1 minute  
 Temperature Rating:  
 Operating temperature: -40°C to +105°C

Environmental:  
 Lead free, RoHS compliant  
 Recommended soldering temp: 235°C for 5 seconds



Positions: 4 thru 40  
 A = .100 [2.54] x No. of Positions per row  
 B = .100 [2.54] x No. of Spaces per row

UNLESS OTHERWISE SPECIFIED ALL DIMENSIONS ARE INCHES [MM] TOLERANCES: EXCEPT AS NOTED	
INCHES	HOLES
X ± .10	ØXX ± .10
.XX ± .020	ØXX ± .015
.XXX ± .015	ØXXX ± .010
APPROVALS	DATE
DRAWN	DY
CHECKED	
APPROVED	

DATE	4/19/10
SIZE	X
PART NO.	DLHA-D-XX-TS-V0
SCALE	NIS
SHEET	1 OF 1

**ADAM TECH**  
 909 Rahway Avenue, Union, NJ 07083  
 Phone: 908-687-5000 Fax: 908-687-5710

TITLE  
 .100 [2.54] DUAL ROW LOCKING HEADER,  
 LONG BACK, STRAIGHT, TIN PLATED, PCB

REV.	-
------	---