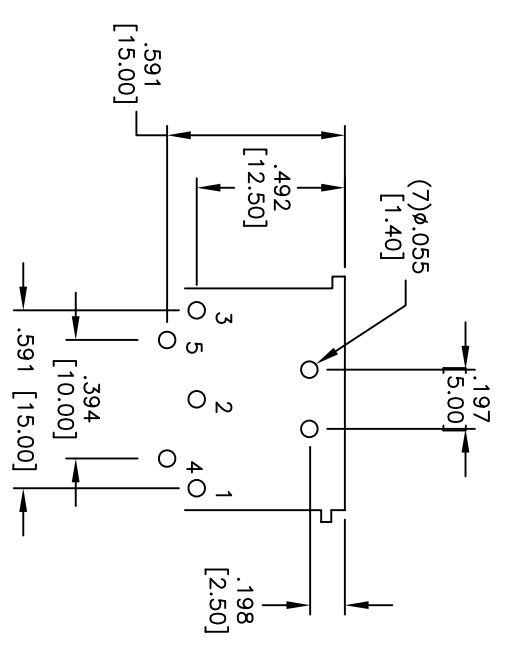
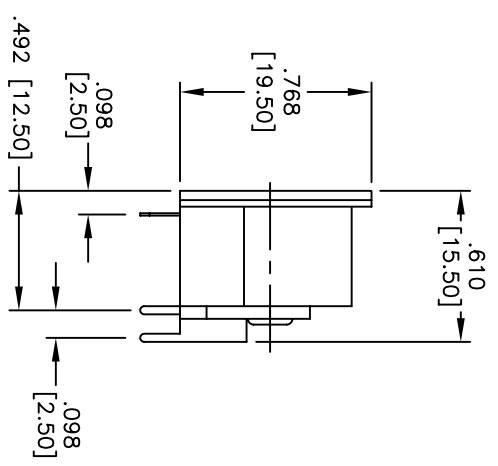
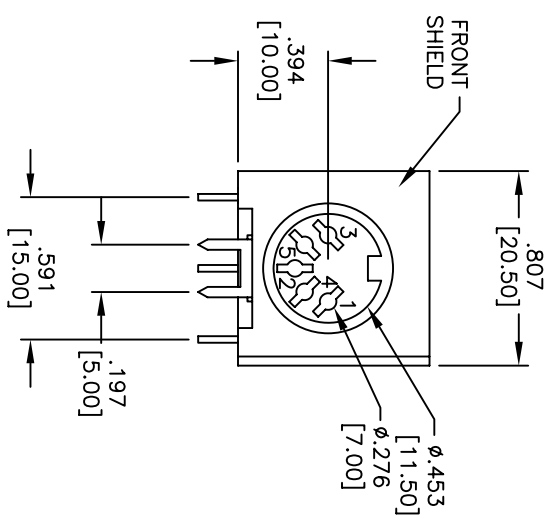


APPROVED: _____
 DATE: _____ TITLE: _____

Rev	AWO #	Description	Date	Appr
-		RELEASED	12/21/04	
A		CORRECTED DIMENSIONS	10/30/06	



SPECIFICATIONS:
 Material: Insulator: PBT, Glass filled, rated UL 94V-0
 Insulator color: Black
 Contacts: Brass
 Shield: Copper Alloy, Bright Nickel plated
 Plating: Tin over Copper underplate
 Electrical:
 Operating voltage: 20 VDC max.
 Current rating: 2 Amps max.
 Contact resistance: 20 mohms max. initial
 Insulation resistance: 500 Mohms min.
 Dielectric withstanding voltage: 1,000 VAC for 1 minute
 Temperature Rating: Operating temperature: -25°C to +100°C
 Environmental:
 Lead free, RoHS Compliant
 Recommended soldering temp: 235°C for 5 seconds



ADAM TECH
 909 Rahway Avenue, Union, NJ 07083
 Phone: 908-687-5000 Fax: 908-687-5710

TITLE
 DIN JACK, 5 POSITIONS, SHIELDED,
 .197 [5.00] CENTERLINE FRONT PINS

UNLESS OTHERWISE SPECIFIED ALL DIMENSIONS ARE INCHES [MM]	
TOLERANCES: EXCEPT AS NOTED	HOLDS ±.10
.X ±.10	ØXX ±.10
.XX ±.020	ØXXX ±.015
.XXX ±.015	ØXXX ±.010
APPROVALS	DATE
DRAWN SS	10/4/04
CHECKED	
APPROVED	

SIZE X	PART NO. DJ-005-S.5	REV. A
REF:	SCALE: NTS	SHEET 1 OF 1