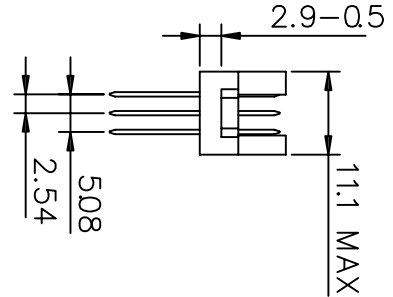
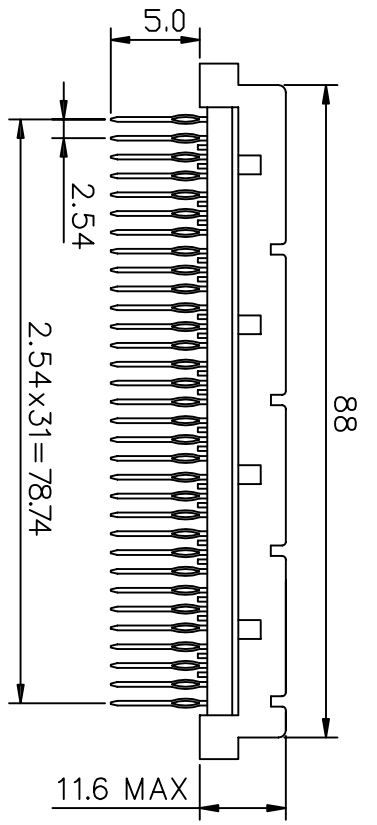
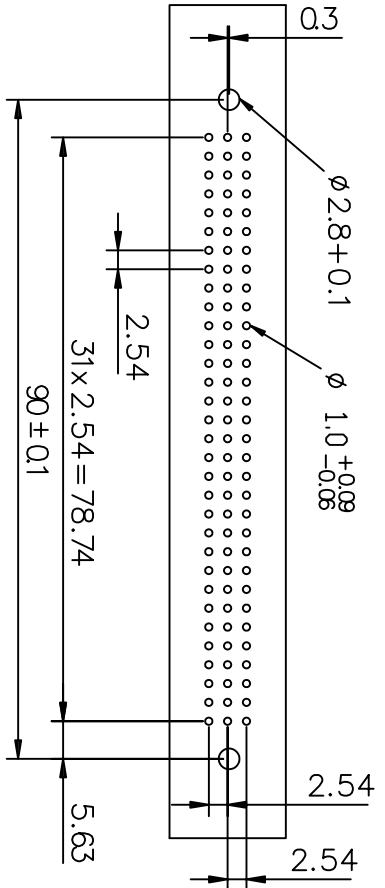
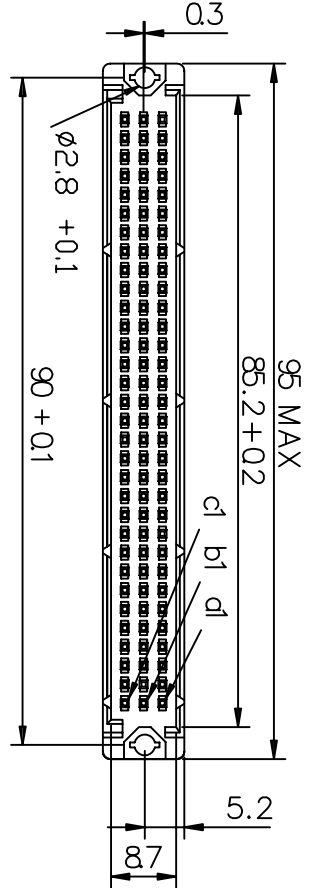


Rev	AWO #	Description	Date	Appr
-		RELEASED	11/14/03	

APPROVED: _____
 DATE: _____ TITLE: _____



"X" PLATING
1 30 u" Gold
2 15 u" Gold
3 8 u" Gold

SPECIFICATIONS:

Material: Insulator: PBT, Glass filled, rated UL94V-0, Color: Gray
 Contacts: Copper Alloy
Plating: "X" u" Gold to MIL-G-45204, Type II, Grade C on Contact area over 50 u" Nickel underplate to QQ-N-290, Class 2, Grade C

Electrical:

Rated voltage: 250 V max.
 Rated current: 3 Amps (AC / DC)
 Contact resistance: 20 mohms
 Insulation resistance: 3000 Mohms @ 1000 VDC
 Dielectric withstanding voltage: 1000 VAC for 1 minute

Environmental:

Operating temperature: -55°C to +105°C
 Lead free, RoHS compliant.
 Recommended soldering temp: 235 for 5 sec.



ADAM TECH

909 Rahway Avenue, Union, NJ 07083
 Phone: 908-687-5000 Fax: 908-687-5710

TITLE: 96P MALE EURODIN, STRAIGHT
 PRESS FIT TAILS

UNLESS OTHERWISE SPECIFIED ALL DIMENSIONS ARE MM [INCHES] TOLERANCES: EXCEPT AS NOTED	
.X INCHES	±.10 HOLDS
.XX INCHES	±.020 HOLDS
.XXX INCHES	±.015 HOLDS
.XXX INCHES	±.010 HOLDS
APPROVALS	DATE
DRAWN	SLS
CHECKED	
APPROVED	

SIZE	PART NO.	REV.
X	DIN-96MS-L33-A3CX	-
REF:	SCALE: NTS	SHEET 1 OF 1