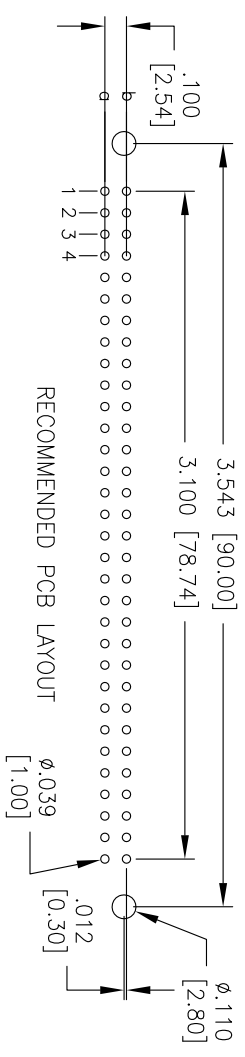
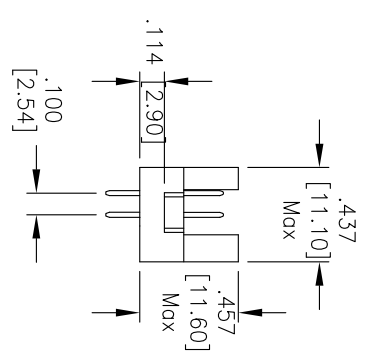
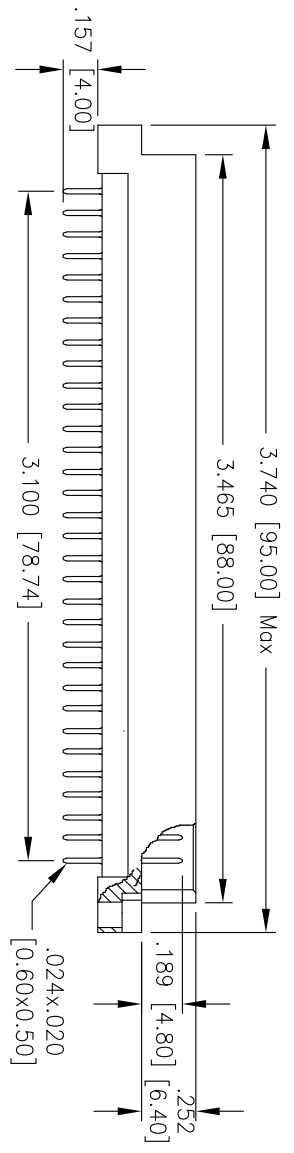
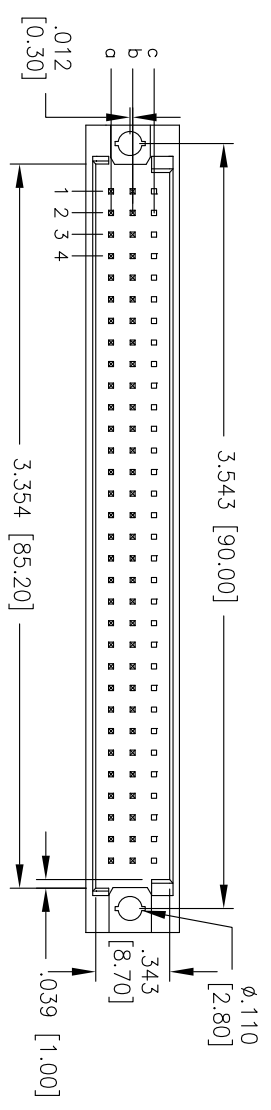


Rev	AWO #	Description	Date	Appr
-		RELEASED	2/09/11	

APPROVED: \_\_\_\_\_  
 DATE: \_\_\_\_\_ TITLE: \_\_\_\_\_



"X"	PLATING	CLASS
1	30 u" Gold	1
2	15 u" Gold	2
3	Gold Flash	3

**SPECIFICATIONS:**

**Material:**  
 Insulator: PBT, glass reinforced, rated UL 94V-0  
 Contacts: Brass  
**Plating:**  
 X Gold over Nickel underplate on contact area,  
 Tin over Copper underplate on solder tails.  
 (See chart for thickness)

**Electrical:**

Current rating: 2 Amps max  
 Contact resistance: 30 mohms max  
 Insulation resistance: 1000 Mohms min@ DC 500V  
 Dielectric withstanding voltage: 1000 VAC for 1 minute

**Temperature Rating:**

Operating temperature: -55°C to +105°C  
 Environmental:  
 Lead free, RoHS compliant.  
 Recommended soldering temp: 235°C for 5 sec.



**ADAM TECH**

909 Rahway Avenue, Union, NJ 07083  
 Phone: 908-687-5000 Fax: 908-687-5710

TITLE: DIN TYPE R MALE, 64 PINS LOADED  
 3 ROWS STRAIGHT, ROW A & B LOADED

UNLESS OTHERWISE SPECIFIED ALL DIMENSIONS ARE MM [INCHES] TOLERANCES: EXCEPT AS NOTED	
INCHES	HOLES
X ± .10	ØX ± .10
.XX ± .020	ØXX ± .015
.XXX ± .015	ØXXX ± .010
APPROVALS	DATE
DRAWN DY	2/09/11
CHECKED	
APPROVED	

SIZE	PART NO.	REV.
X	DIN-64MS-L32A-A1CX	-
REF: 300098T	SCALE: NTS	SHEET 1 OF 1