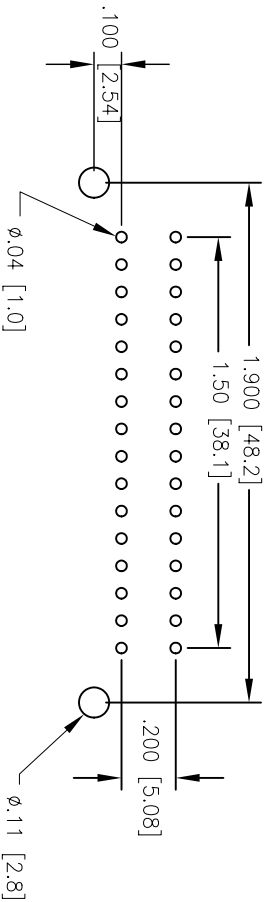
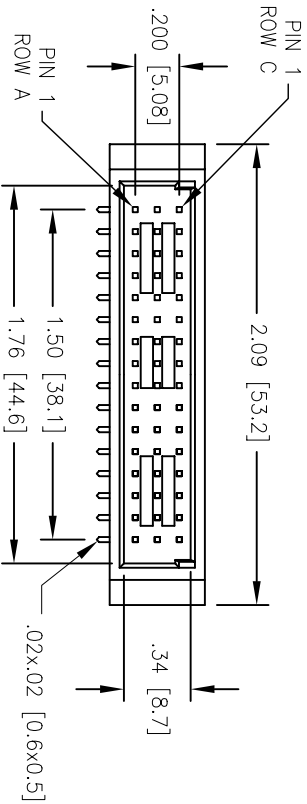
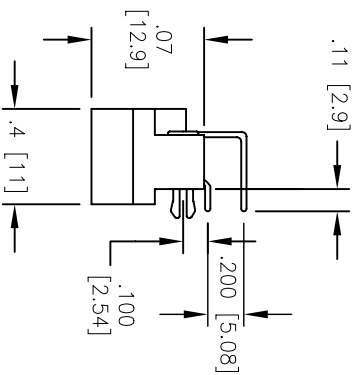
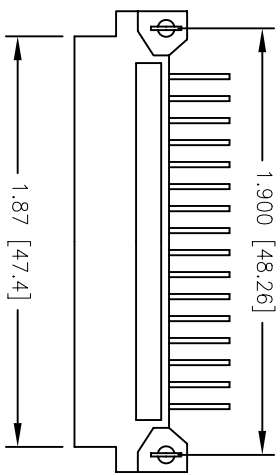


Rev	AWO #	Description	Date	Appr
-		RELEASED	02/18/05	

APPROVED: _____
 DATE: _____ TITLE: _____



RECOMMENDED PCB LAYOUT

SPECIFICATIONS:

Material:
 Insulator: PBT, glass filled, rated UL 94V-0
 Insulator color: Beige
 Contacts: Brass
 Plating:
 15u" Gold over nickel underplate on contact area. Tin over Copper underplate on tails.

Electrical:
 Operating voltage: 500 VAC max
 Current rating: 2 Amps max
 Contact resistance: 30 mohms max
 Insulation resistance: 1000 Mohms min @ 500 VDC
 Dielectric withstanding voltage: 1000 VAC for 1 minute
Mechanical:
 Insertion force: 20 lbs / contact max.
 Withdrawal force: 0.033 lbs / contact min.
 Mating durability: Class II, 250 cycles
 Temperature Rating:
 Operating temperature: -55°C to +125°C

ADAM TECH

909 Rahway Avenue, Union, NJ 07083
 Phone: 908-687-5000 Fax: 908-687-5710

**DIN CONNECTOR, 1/2 C MALE, 3 ROWS
 A & C LOADED, RIGHT ANGLE, CLASS II**

UNLESS OTHERWISE SPECIFIED ALL DIMENSIONS ARE INCHES [MM]		TOLERANCES: EXCEPT AS NOTED INCHES		HOLE SIZES		DATE	
.X	± .10	ØXX	± .10	ØXX	± .015		
.XX	± .020	ØXXX	± .015	ØXXX	± .010		
.XXX	± .015	ØXXXX	± .010				
APPROVALS		DATE		TITLE		REV.	
DRAWN	SS	02/18/05		DIN CONNECTOR, 1/2 C MALE, 3 ROWS A & C LOADED, RIGHT ANGLE, CLASS II		-	
CHECKED				SIZE PART NO.		REV.	
APPROVED				X DIN-32MR-S32-A1C2		-	
REF:		SCALE: NTS		SHEET 1 OF 1			

6 5 4 3 2 1