

Rev	AWO #	Description	Date	Appr
-		RELEASED	3/01/11	

6

5

4

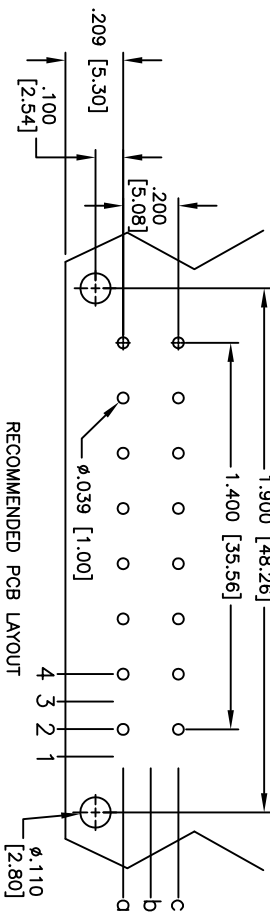
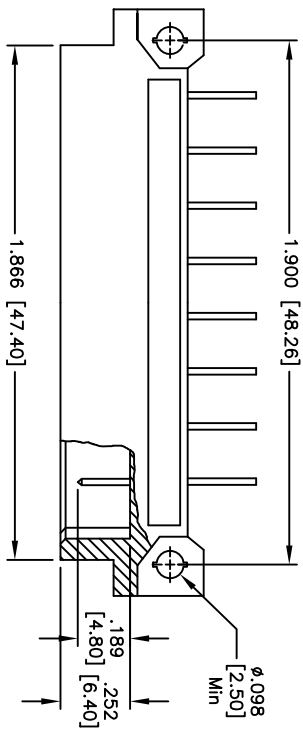
3

2

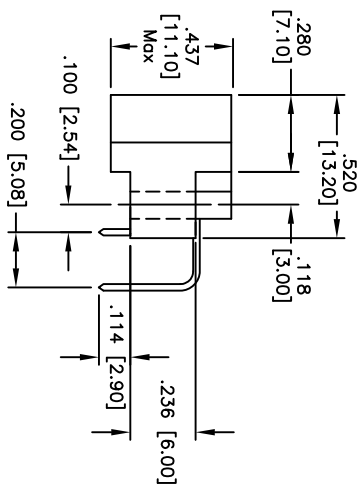
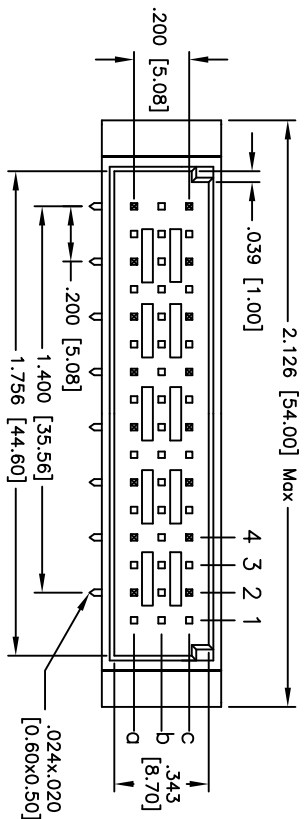
1

APPROVED: _____

DATE: _____ TITLE: _____



RECOMMENDED PCB LAYOUT



"X" PLATING	CLASS
1 30 u" Gold	1
2 15 u" Gold	2
3 Gold Flash	3

SPECIFICATIONS:

Material:

Insulator: PBT, glass reinforced, rated UL 94V-0

Insulator color: Beige

Contacts: Brass

Plating:X Gold over Nickel underplate on contact area,
Tin over Copper underplate on solder tails.

(See chart for thickness)

Electrical:

Current rating: 2 Amps max

Contact resistance: 30 mohms max

Insulation resistance: 1000 Mohms min

Dielectric withstanding voltage: 1000 VAC for 1 minute

Temperature Rating:

Operating temperature: -55°C to +105°C

Environmental:

Lead free, RoHS compliant.

Recommended soldering temp: 235°C for 5 sec.

UNLESS OTHERWISE SPECIFIED
ALL DIMENSIONS ARE INCHES [MM]
TOLERANCES: EXCEPT AS NOTEDINCHES
X .10
.XX ± .020
.XXX ± .015HOLES
Ø.X
Ø.XXX ± .015
Ø.XXX ± .010APPROVALS
DATE

DRAWN DY 3/01/11

CHECKED

APPROVED

ADAM TECH

909 Rahway Avenue, Union, NJ 07083

Phone: 908-687-5000 Fax: 908-687-5710

DIN TYPE 1/2 C MALE, 16 PINS LOADED

3 ROW RIGHT ANGLE, ROWS A & C LOADED

TITLE

SIZE PART NO. DIN-16MR-S32-B1CX

REF: S00068T SCALE: NTS SHEET 1 OF 1

A

B

C

D

A

B

C

D

6

5

4

3

2

1

