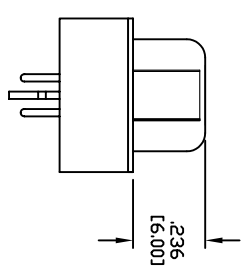
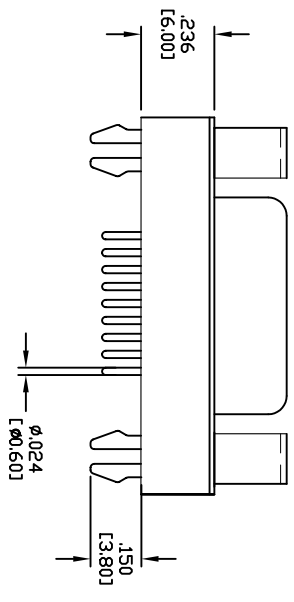
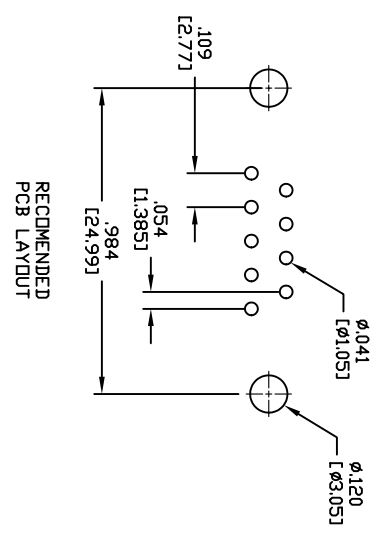
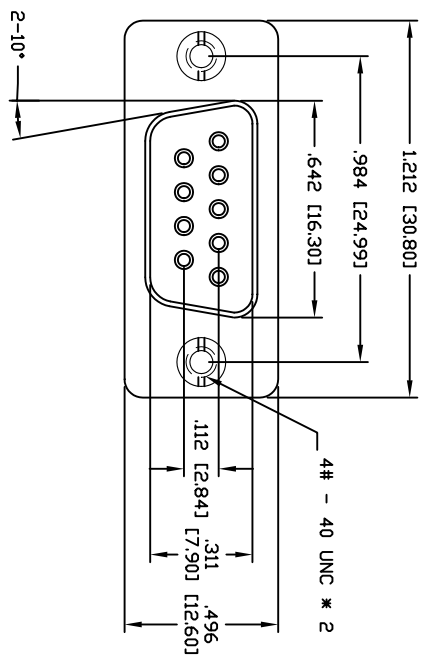


Rev	AWO #	Description	Date	Appr
-		RELEASED	8/12/04	

APPROVED: _____
 DATE: _____ TITLE: _____



SPECIFICATIONS:

Material: Insulator: PBT, glass reinforced, rated UL 94V-0
 Insulator color: Black
 Contacts: Brass
 Contact Plating: Gold over Nickel underplate on mating area, Tin over Copper underplate on solder tails
 Electrical: Operating voltage: 250 VAC max
 Current rating: 5 Amps max
 Contact resistance: 15 mohms max.
 Insulation resistance: 1000 Mohms min @ 500 VDC
 Dielectric withstanding voltage: 1000 VAC for 1 minute
 Temperature Rating: Operating temperature: -55°C to +105°C

UNLESS OTHERWISE SPECIFIED
 ALL DIMENSIONS ARE INCHES [MM]
 TOLERANCES: EXCEPT AS NOTED

INCHES	HOLES
.X ± .10	ØX ± .10
.XX ± .020	ØXX ± .015
.XXX ± .015	ØXXX ± .010

APPROVALS

DRAWN	SS	8/12/04
CHECKED		
APPROVED		

ADAM TECH
 909 Rahway Avenue, Union, NJ 07083
 Phone: 908-687-5000 Fax: 908-687-5710

TITLE: D-SUB, FLUSH MOUNT, 9 POS, STRAIGHT, PCB, BOARD LOCK AND JACK SCREW

SIZE	PART NO.	REV.
X	DE09-SA-M2-BL	-
REF:	SCALE: NTS	SHEET 1 OF 1