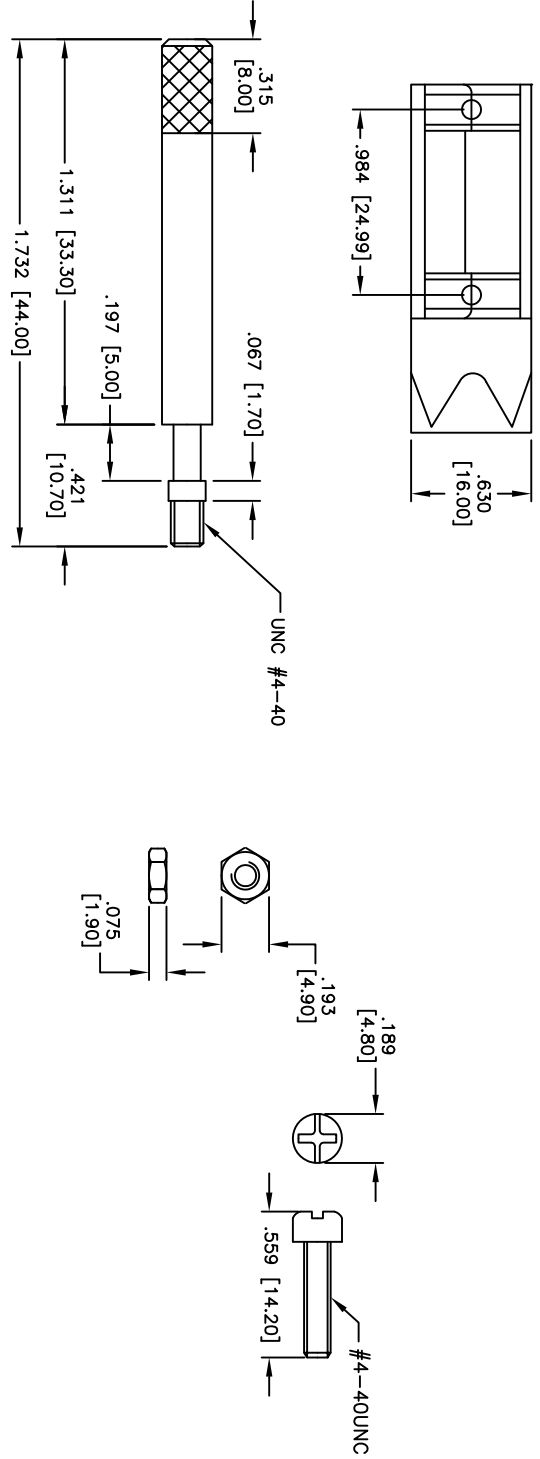
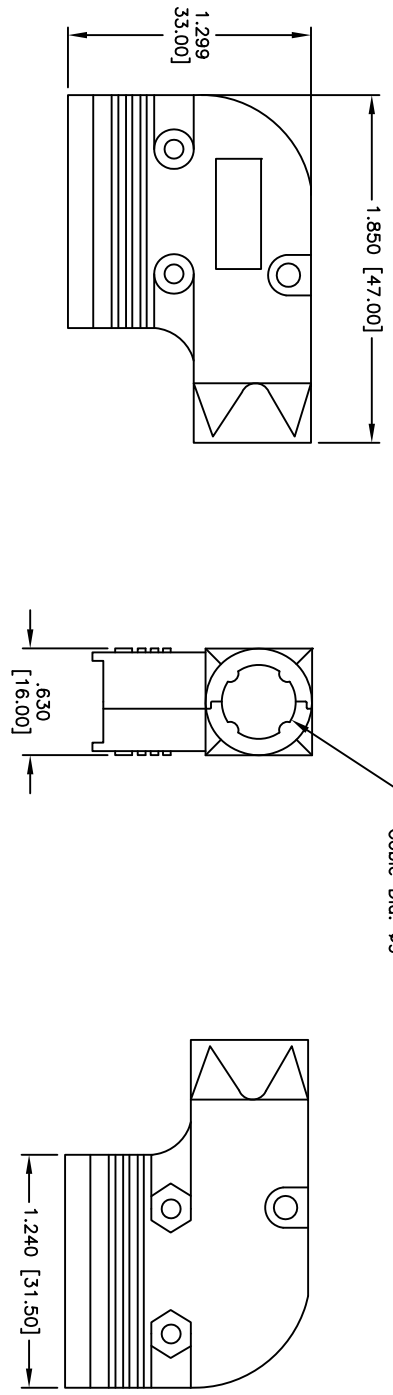


Rev	AWO #	Description	Date	Appr
-		RELEASED	9/17/10	

APPROVED: _____
 DATE: _____ TITLE: _____



SPECIFICATIONS:
 Material: _____
 Shell: Zinc Alloy
 Shell: Steel
 Finish: _____
 Shell: Nickel plated
 Packaging: _____
 Two (2) of each part shown is packaged in a plastic bag
 Environmental: _____
 Lead free, RoHS compliant.

UNLESS OTHERWISE SPECIFIED ALL DIMENSIONS ARE INCHES [MM]	
TOLERANCES: EXCEPT AS NOTED	
INCHES	HOLES
.X ± .10	ØX ± .10
.XX ± .020	ØXXX ± .015
.XXX ± .015	ØXXX ± .010
APPROVALS	DATE
DRAWN AY	9/17/10
CHECKED VW	9/17/10
APPROVED	

ADAM TECH
 909 Rahway Avenue, Union, NJ 07083
 Phone: 908-687-5000 Fax: 908-687-5710

TITLE: 9 POSITION D-SUB HOOD, ALUMINUM CAST, THUMB SCREWS

SIZE: X PART NO.: DE09-HD-AL-RA-TS-XX

REF: SCALE: NTS SHEET 1 OF 1