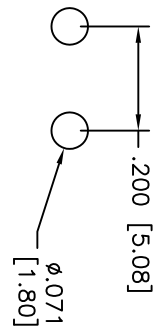
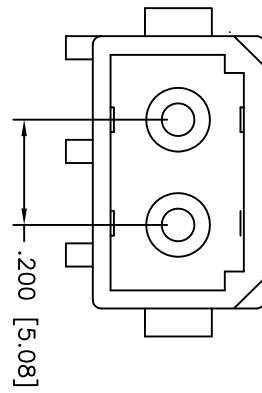
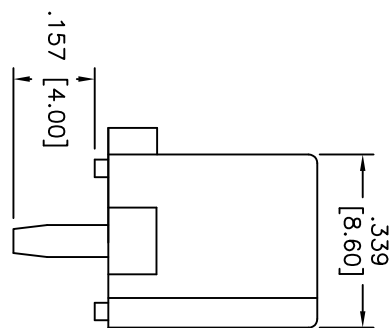
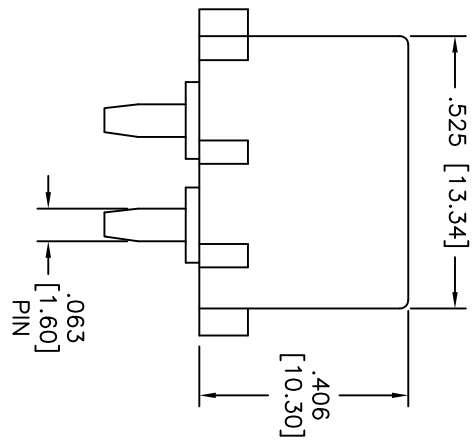


Rev	AWO #	Description	Date	Appr
-		RELEASED	4/21/10	

APPROVED: \_\_\_\_\_  
 DATE: \_\_\_\_\_ TITLE: \_\_\_\_\_



RECOMMENDED PCB LAYOUT



**SPECIFICATIONS:**

**Material:**

Insulator: Nylon 66, rated UL 94V-2

Insulator color: Natural

Contacts: Brass

**Plating:**

Tin over nickel underplate

**Electrical:**

Operation voltage: 250V AC,DC

Current rating: 5A AC,DC

Contact resistance: 10 mohms max

Insulation resistance: 1000 Mohms min

Dielectric withstanding voltage: 800V AC/minute

**Temperature rating:**

Operating temperature: -25°C to +85°C

**Environmental:**

Lead Free, RoHS compliant

Recommended soldering temperature: 235°C for 5 seconds



UNLESS OTHERWISE SPECIFIED ALL DIMENSIONS ARE INCHES [MM]	
TOLERANCES: EXCEPT AS NOTED	
INCHES	HOLDS
X .10	±.10
.XX	±.020
.XXX	±.015
.XXX	±.010
APPROVALS	DATE
DRAWN	DY
CHECKED	
APPROVED	

**ADAM TECH**  
 909 Railway Avenue, Union, NJ 07083  
 Phone: 908-687-5000 Fax: 908-687-5710

TITLE	.200 [5.08] MALE STRAIGHT, 2 PIN, PCB MOUNT	
SIZE	PART NO.	DDS-02
REF: S00099T	SCALE: NTS	SHEET 1 OF 1