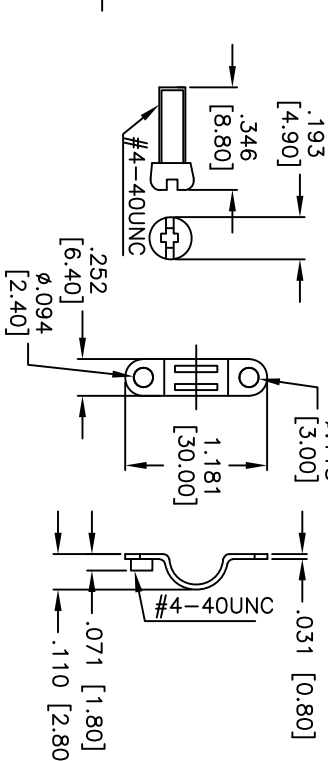
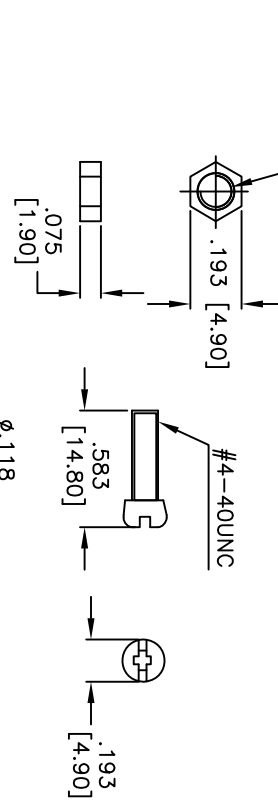
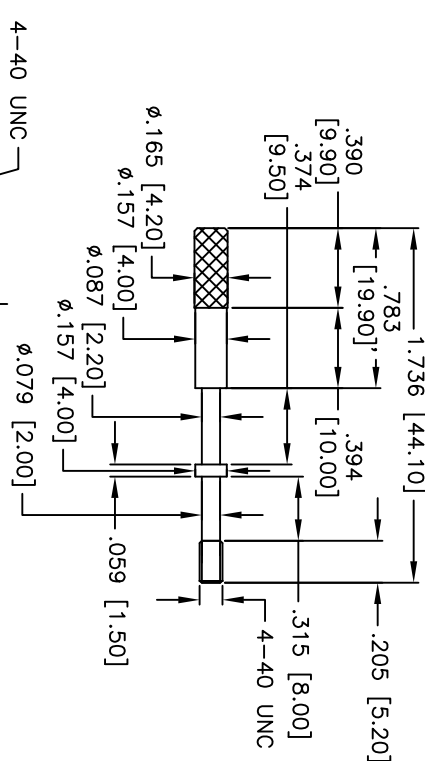
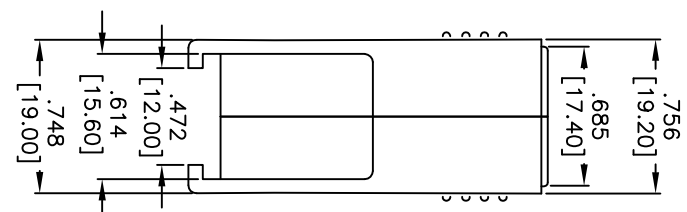
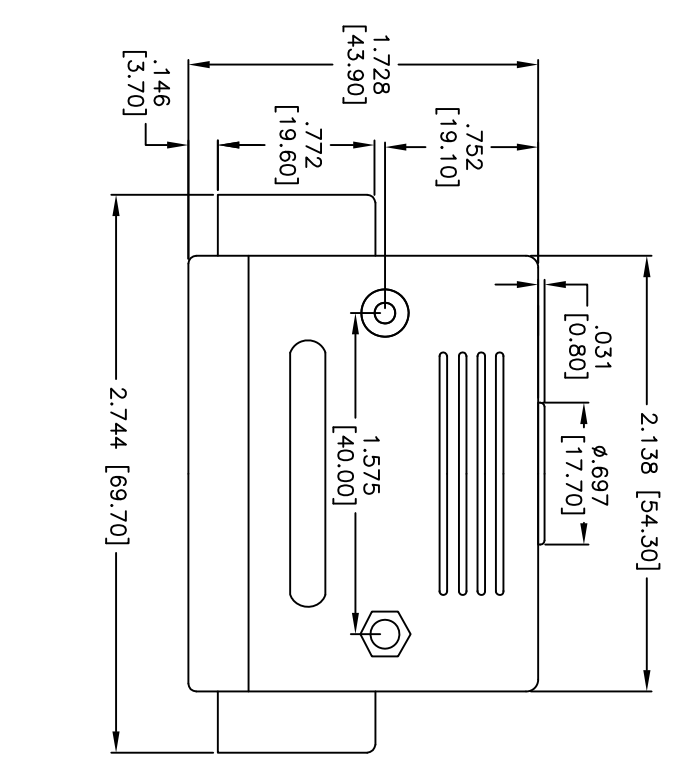
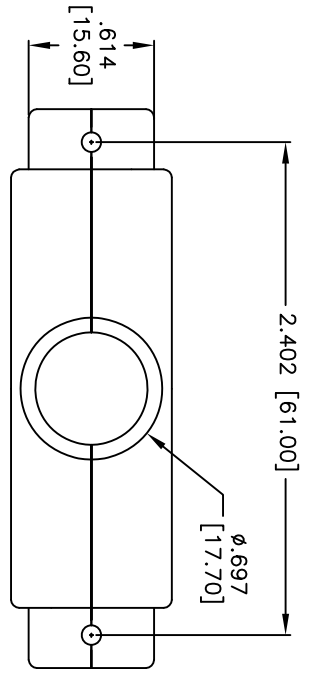


Rev	AWO #	Description	Date	Appr
-		RELEASED	5/17/11	

APPROVED: _____
 DATE: _____ TITLE: _____



SPECIFICATIONS:

Material: Insulator: ABS, rated UL 94HB
 Insulator color: chrome
 Hardware: Steel, Nickel plated
 Environmental: Lead free, RoHS compliant



ADAM TECH

909 Rahway Avenue, Union, NJ 07083
 Phone: 908-687-5000 Fax: 908-687-5710

HOOD FOR 50 POSITION D-SUB WITH THUMB SCREWS

UNLESS OTHERWISE SPECIFIED ALL DIMENSIONS ARE INCHES [MM]		TITLE	
TOLERANCES EXCEPT AS NOTED		HOOD FOR 50 POSITION D-SUB WITH THUMB SCREWS	
INCHES		DATE	
.X ± .10	ØX ± .10	5/17/11	
.XX ± .020	ØXX ± .015	DRAWN DY	
.XXX ± .015	ØXXX ± .010	CHECKED	
APPROVALS		APPROVED	
SIZE	PART NO.	REF:	SCALE:
X	DD50-HD-PN-TS	S0006AT	NIS
REV.	SHEET	1	OF 1