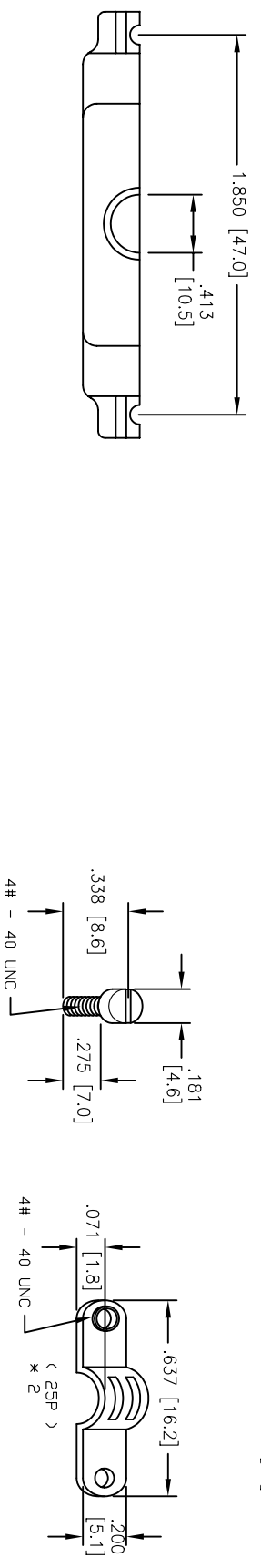
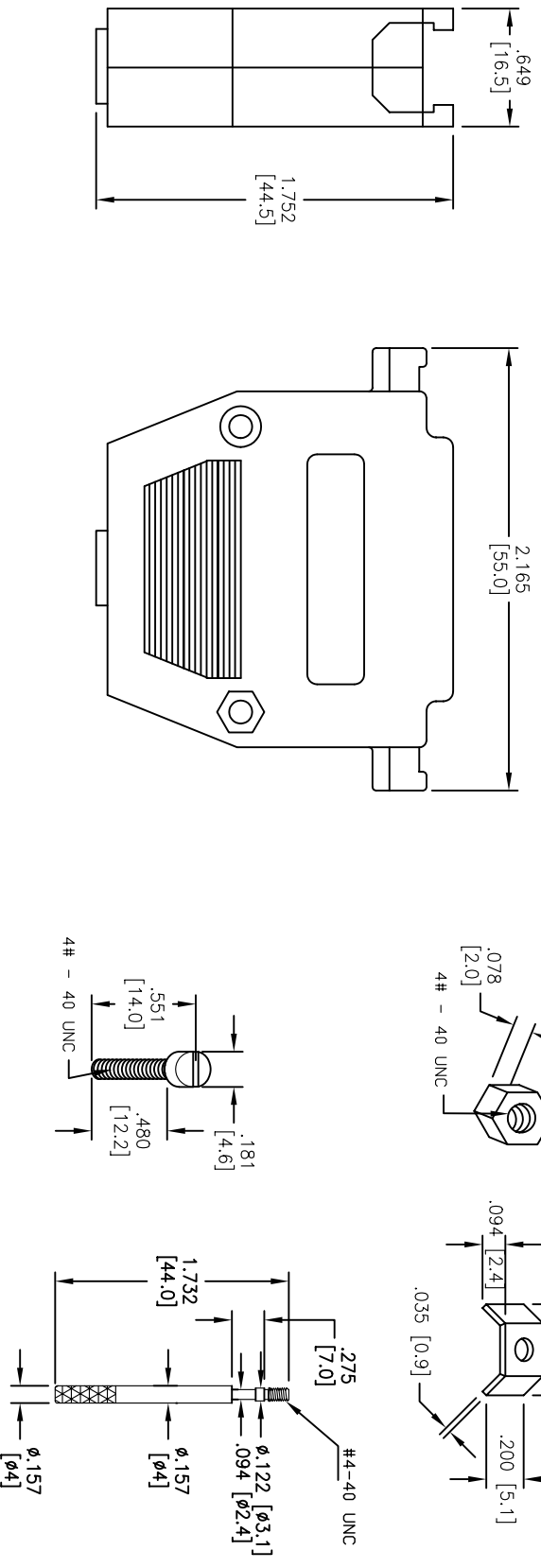
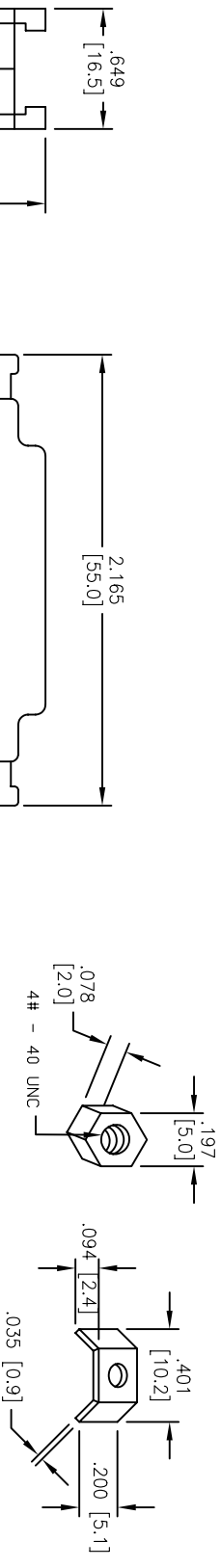


Rev	AWO #	Description	Date	Appr
-		RELEASED	9/20/04	

APPROVED: _____
 DATE: _____ TITLE: _____



A B C D

A B C D

SPECIFICATIONS:

Material: _____
 Insulator: ABS, rated UL 94V-0
 Insulator color: Gray
 Hardware: Copper alloy, Nickel plated

UNLESS OTHERWISE SPECIFIED
 ALL DIMENSIONS ARE INCHES [MM]
 TOLERANCES: EXCEPT AS NOTED
 INCHES: _____
 HOLES: _____
 X ± .10 ØXX ± .10
 .XX ± .020 ØXXX ± .015
 .XXX ± .015 ØXXXX ± .010

ADAM TECH
 909 Railway Avenue, Union, NJ 07083
 Phone: 908-687-5000 Fax: 908-687-5710

DRAWN	SS	9/20/04	DATE
CHECKED			
APPROVED			
SIZE	PART NO.	SCALE	SHEET
X	DB25-HD-PV-TS	NIS	1 OF 1
REV.			

6 5 4 3 2 1