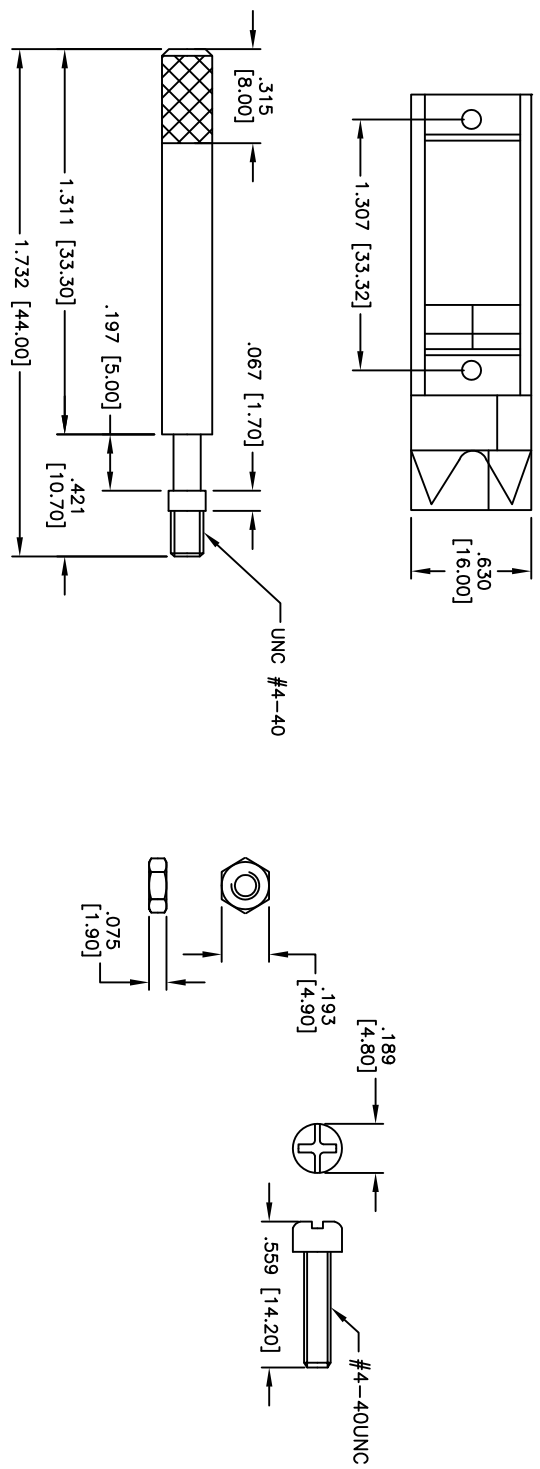
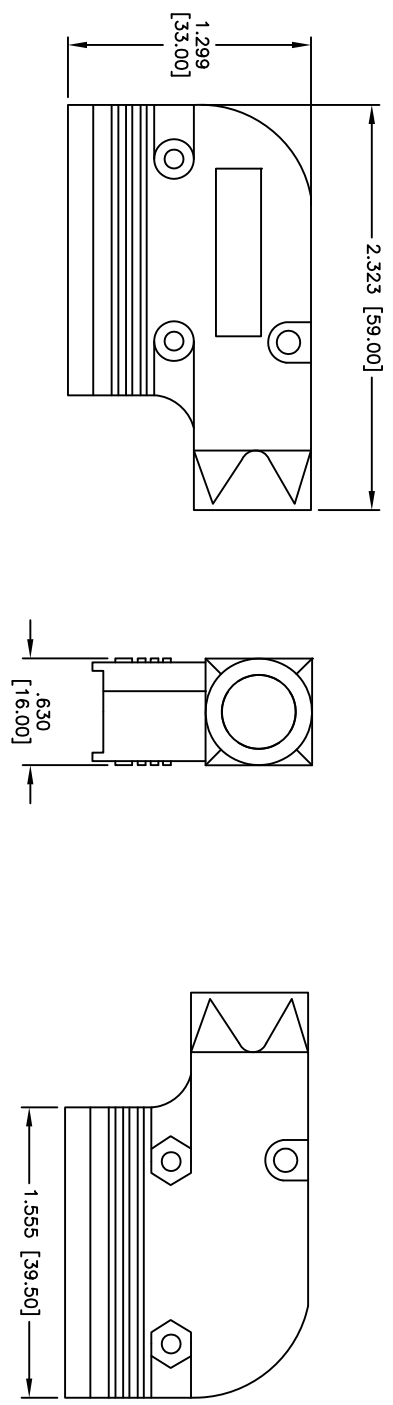


| Rev | AWO # | Description | Date    | Appr |
|-----|-------|-------------|---------|------|
| -   |       | RELEASED    | 9/17/10 |      |

APPROVED: \_\_\_\_\_  
 DATE: \_\_\_\_\_ TITLE: \_\_\_\_\_



**SPECIFICATIONS:**

Material: Steel  
 Shell: Zinc Alloy  
 Finish: Steel  
 Shell: Nickel plated  
 Packaging: Two (2) of each part shown is packaged in a plastic bag  
 Environmental: Lead free, RoHS compliant.

UNLESS OTHERWISE SPECIFIED  
 ALL DIMENSIONS ARE INCHES [MM]  
 TOLERANCES: EXCEPT AS NOTED

| INCHES      | HOLES       |
|-------------|-------------|
| .X ± .10    | ØX ± .10    |
| .XX ± .020  | ØXX ± .015  |
| .XXX ± .015 | ØXXX ± .010 |

APPROVALS: \_\_\_\_\_ DATE: \_\_\_\_\_

**ADAM TECH**  
 909 Railway Avenue, Union, NJ 07083  
 Phone: 908-687-5000 Fax: 908-687-5710

TITLE: 15 POSITION D-SUB HOOD, ALUMINUM CAST THUMB SCREWS

|          |    |         |      |                     |              |
|----------|----|---------|------|---------------------|--------------|
| DRAWN    | AY | 9/17/10 | SIZE | PART NO.            | REV.         |
| CHECKED  | VW | 9/17/10 | X    | DA15-HD-AL-RA-TS-XX | .            |
| APPROVED |    |         | REF: | SCALE: NTS          | SHEET 1 OF 1 |