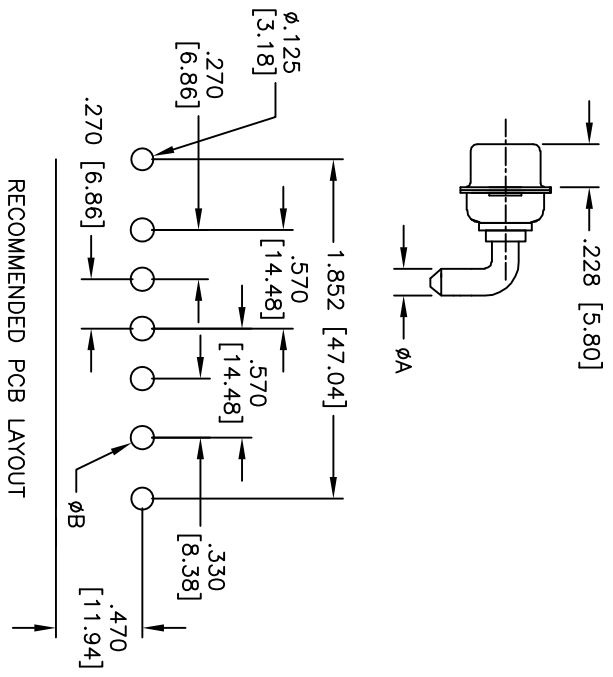
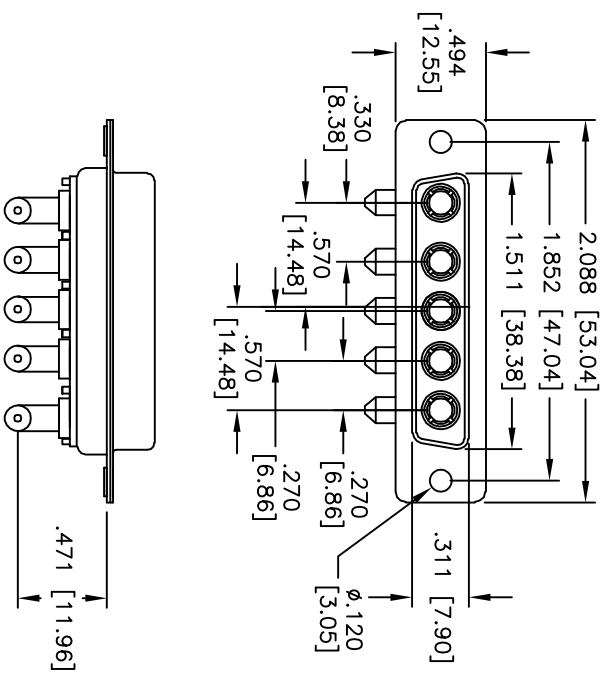


Rev	AWO #	Description	Date	Appr
-		RELEASED	5/03/10	

APPROVED: \_\_\_\_\_  
 DATE: \_\_\_\_\_ TITLE: \_\_\_\_\_



PART NO.	CURRENT RATING	DIMENSION	
		ØA	ØB
D5W5-SLP-3-1	10 AMPS	Ø.067 [1.70]	Ø.087 [2.20]
D5W5-SLP-4-1	20 AMPS	Ø.110 [2.80]	Ø.129 [3.28]
D5W5-SLP-5-1	30 AMPS	Ø.126 [3.20]	Ø.144 [3.65]
D5W5-SLP-6-1	40 AMPS	Ø.148 [3.75]	Ø.165 [4.20]

**SPECIFICATIONS:**

**Material:**  
 Insulator: PBT, glass reinforced, rated UL 94V-0  
 Insulator color: Black  
**Contacts:** Brass  
 Shell: Steel, Tin plated  
 Hardware: Brass, Nickel plated  
**Plating:**  
 Gold flash over Nickel underplate overall

**Electrical:**  
 Current rating: 10, 20, 30, 40 Amps max. (See Chart)  
 Contact resistance: 10 mohms max  
 Insulation resistance: 5,000 Mohms min  
 Dielectric withstanding voltage: 1,000 VAC for 1 minute  
**Temperature Rating:**  
 Operating temperature: -55°C to +125°C

**Environmental:**  
 Lead free, RoHS compliant  
 Recommended soldering temp: 235°C for 5 seconds



**ADAM TECH**

909 Rahway Avenue, Union, NJ 07083  
 Phone: 908-687-5000 Fax: 908-687-5710

TITLE: D-SUB, FEMALE POWER, D5W5, RIGHT ANGLE, PCB 10A, 20A, 30A, 40A

UNLESS OTHERWISE SPECIFIED ALL DIMENSIONS ARE INCHES [MM] TOLERANCES: EXCEPT AS NOTED		DIMENSION	
INCHES	HOLES	ØA	ØB
.X ±.10	Ø.X	±.10	
.XX ±.020	Ø.XXX	±.015	
.XXX ±.015	Ø.XXX	±.010	
APPROVALS		DATE	
DRAWN	DY	5/03/10	
CHECKED			
APPROVED			
SIZE	PART NO.	TITLE	
X	D5W5-SLP-X-1	D-SUB, FEMALE POWER, D5W5, RIGHT ANGLE, PCB 10A, 20A, 30A, 40A	
REF: S0009T	SCALE: NTS	SHEET 1 OF 1	