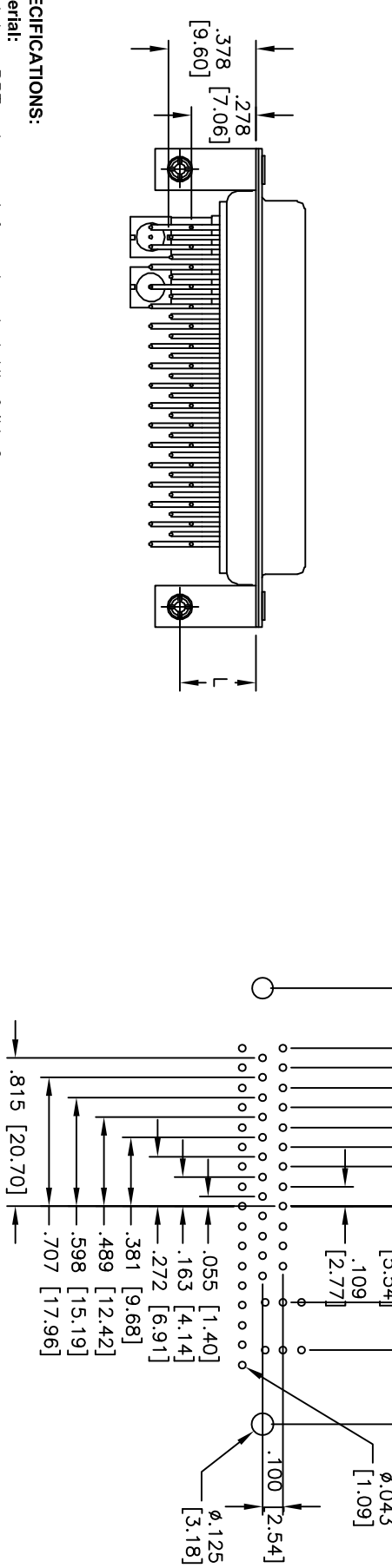
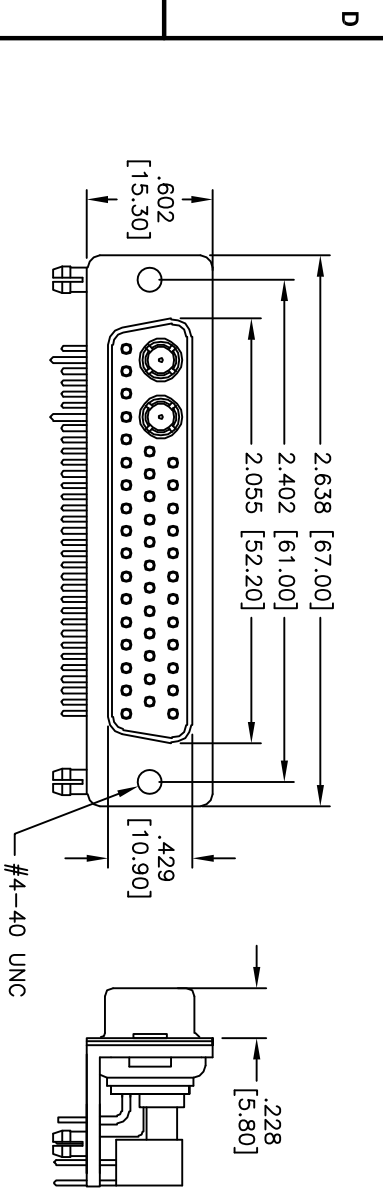


Rev	AWO #	Description	Date	Appr
-		RELEASED	3/12/10	

APPROVED: _____
 DATE: _____ TITLE: _____



P/N	L
D43W2-SL-1-2-BL	.378 [9.60]
D43W2-SL-1-3-BL	.457 [11.60]

RECOMMENDED P.C.B. LAYOUT

SPECIFICATIONS:

- Material:**
 Insulator: PBT, glass reinforced, rated UL 94V-0
 Insulator color: Black
 Coax Insulator: Teflon
 Coax Contact: Brass, Gold plated
 Signal Contact: Brass, Gold plated
 Metal Shell: Steel, Tin or Nickel plated
 Metal Bracket: Steel, Nickel plated
 Screw: Brass, Nickel plated
Plating:
 Gold flash over Nickel underplate overall

- Electrical:**
 Signal contact: 5 Amp max
 Coax Impedance: 50 Ohms
 Contact resistance: 10 mohms max
 Insulation resistance: 5,000 Mohms min
 Dielectric withstanding voltage: 1,000 VAC for 1 minute
- Environmental:**
 Temperature Rating:
 Operating temperature: -55°C to +125°C
 Lead free, RoHS compliant
 Recommended soldering temp: 235°C for 5 seconds



ADAM TECH

909 Rahway Avenue, Union, NJ 07083
 Phone: 908-687-5000 Fax: 908-687-5710

D-SUB CONNECTOR, COAX CONTACT,
 SOCKET, 50 ohm, R/A DIP TYPE

UNLESS OTHERWISE SPECIFIED ALL DIMENSIONS ARE INCHES [MM] TOLERANCES: EXCEPT AS NOTED		HOLDERS		HOLES		DATE	
.X	± .10	ØX	± .10	ØX	± .10		
.XX	± .020	ØXX	± .015	ØXX	± .015		
.XXX	± .015	ØXXX	± .010	ØXXX	± .010		
DRAWN		DY		3/12/10		DATE	
CHECKED						SIZE	
APPROVED						PART NO.	
						D43W2-SL-1-X-BL	
						SCALE: NTS	
						SHEET 1 OF 1	