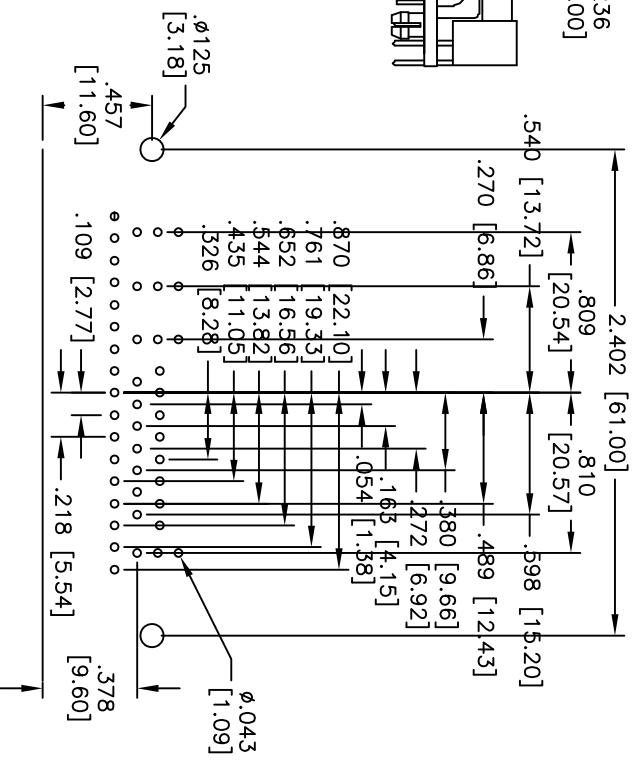
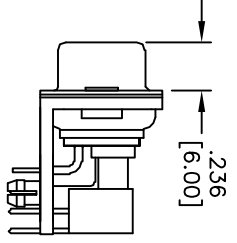
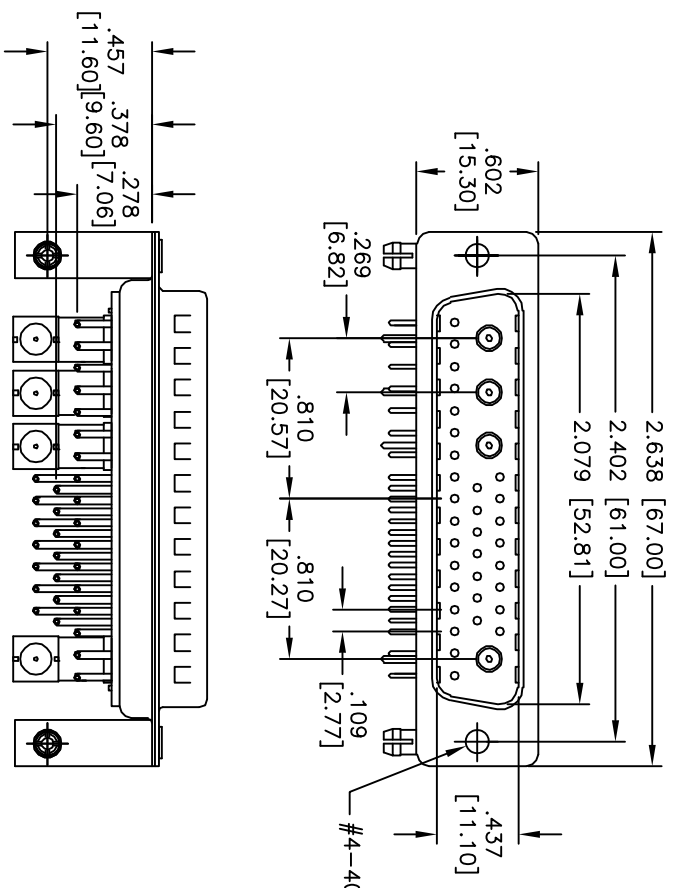


Rev	AWO #	Description	Date	Appr
-		RELEASED	2/03/10	

APPROVED: \_\_\_\_\_  
 DATE: \_\_\_\_\_ TITLE: \_\_\_\_\_



RECOMMENDED PCB LAYOUT

**SPECIFICATIONS:**

**Material:** Insulator: PBT, glass reinforced, rated UL 94V-0

Insulator color: Black

Signal Contact: Brass, Gold plated

Metal Bracket: Steel, Nickel plated

Metal Shell: Steel, Nickel plated

**Plating:** Gold over Nickel underplate overall

**Electrical:** Signal contact: 5 Amp max

Insulation resistance: 10 mohms max

Dielectric withstanding voltage: 1,000 VAC for 1 minute

**Environmental:** Temperature Rating: Operating temperature: -55°C to +125°C

Lead free, RoHS compliant  
 Recommended soldering temp: 235°C for 5 seconds

UNLESS OTHERWISE SPECIFIED  
 ALL DIMENSIONS ARE INCHES [MM]  
 TOLERANCES: EXCEPT AS NOTED  
 INCHES: .X ± .10  
 .XX ± .020  
 .XXX ± .015  
 APPROVALS: \_\_\_\_\_ DATE: \_\_\_\_\_

**ADAM TECH**  
 909 Rahway Avenue, Union, NJ 07083  
 Phone: 908-687-5000 Fax: 908-687-5710

DRAWN	CHECKED	APPROVED	DATE	SIZE	PART NO.	SCALE	SHEET	REV.
DR			2/03/10	X	D36W4-PL-1-4-BL	NTS	1 OF 1	-

