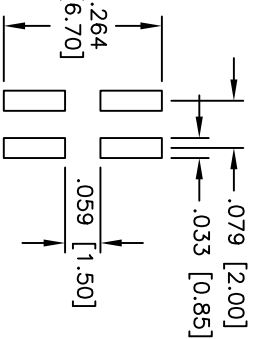
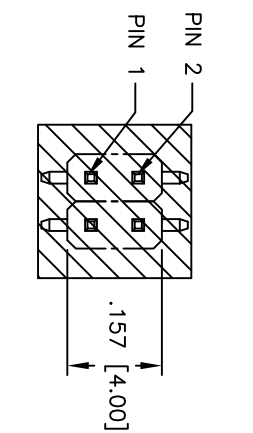
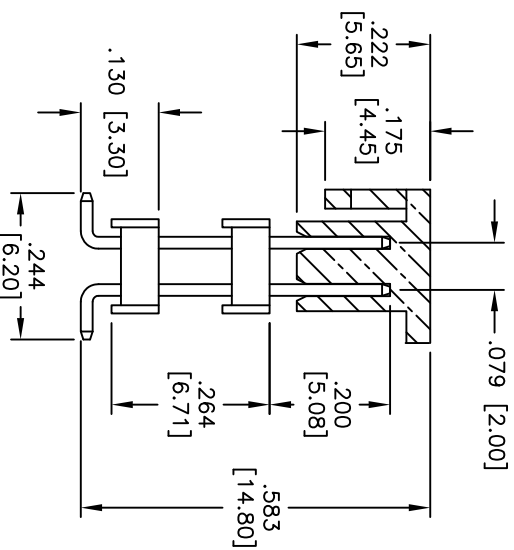
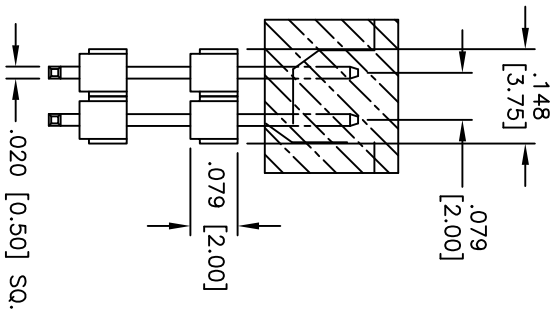


Rev	AWO #	Description	Date	Appr
-		RELEASED	7/30/10	

APPROVED: _____
 DATE: _____ TITLE: _____



RECOMMENDED PCB LAYOUT



SPECIFICATIONS:

Material:

Insulator: Hi-temp thermoplastic, rated UL 94V-0

Insulator color: Black

Contacts: Brass

Plating:

Gold flash over Nickel underplate on contact area,
 Tin over Copper underplate on tails.

Electrical:

Current rating: 1 Amp max

Contact resistance: 20 mohms max

Insulation resistance: 5,000 Mohms min @ 500 VDC

Dielectric withstanding voltage: 500 VAC for 1 minute

Temperature Rating:

Operating temperature: -55°C to +105°C

Environmental:

Lead free, RoHS compliant

Recommended soldering temp: 260°C for 5 seconds



UNLESS OTHERWISE SPECIFIED
 ALL DIMENSIONS ARE IN INCHES [MM]
 TOLERANCES: EXCEPT AS NOTED
 INCHES Holes
 .X ± .10 ØX ± .10
 .XX ± .020 ØXX ± .015
 .XXX ± .015 ØXXX ± .010
 APPROVALS DATE

ADAM TECH
 909 Rahway Avenue, Union, NJ 07083
 Phone: 908-687-5000 Fax: 908-687-5710
 TITLE: .079 [2.00] DUAL ROW PIN HEADER
 DUAL INSULATOR, SURFACE MOUNT

DRAWN	DY	7/30/10
CHECKED		
APPROVED		

SIZE	PART NO.	REV.
X	D2PH-2-04-SG-.220(SMT)264-PP	-
REF: S0059T	SCALE: NTS	SHEET 1 OF 1