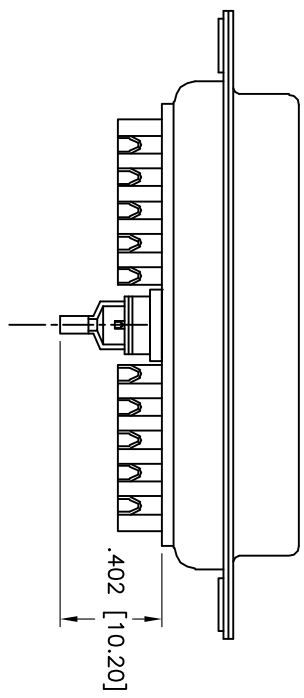
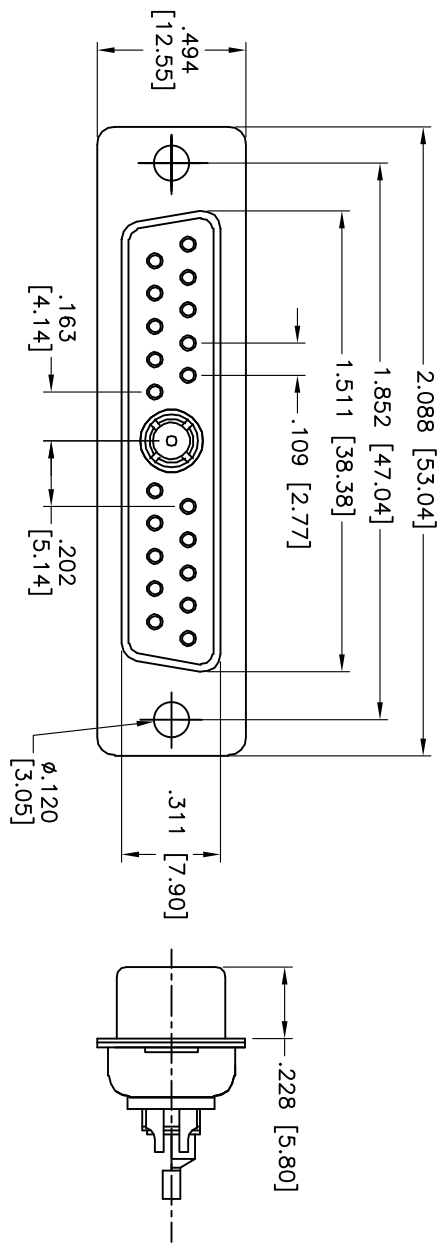


Rev	AWO #	Description	Date	Appr
-		RELEASED	4/02/10	

APPROVED: _____
 DATE: _____ TITLE: _____



SPECIFICATIONS:

Material: PBT, 30% glass reinforced, rated UL 94V-0
 Insulator: PBT, 30% glass reinforced, rated UL 94V-0
 Coaxial Center insulator: Teflon
 Contacts: Brass
 Metal Shell: Steel, Tin plated

Plating: Gold flash over Nickel underplate overall

Electrical:
 Current rating: 5 Amps max
 Coax Impedance: 50 Ohms

Contact resistance: 10 mohms max
 Insulation resistance: 5,000 Mohms min

Dielectric withstanding voltage: 1,000 VAC for 1 minute
 Temperature Rating: Operating temperature: -55°C to +125°C

Environmental:
 Lead free, RoHS compliant



UNLESS OTHERWISE SPECIFIED
 ALL DIMENSIONS ARE INCHES [MM]
 TOLERANCES: EXCEPT AS NOTED
 INCHES HOLEES [MM]
 .X ± .10 ØXX ± .10
 .XX ± .020 ØXXX ± .015
 .XXX ± .015 ØXXX ± .010

ADAM TECH

909 Rahway Avenue, Union, NJ 07083
 Phone: 908-687-5000 Fax: 908-687-5710

TITLE: D-SUB COAX SOCKET, D21W1, SOLDER TYPE

APPROVALS	DATE
DRAWN	4/02/10
CHECKED	
APPROVED	

SIZE	PART NO.	REV.
X	D21W1-SD-1-1	-

REF: S00019T SCALE: NTS SHEET 1 OF 1

6 5 4 3 2 1