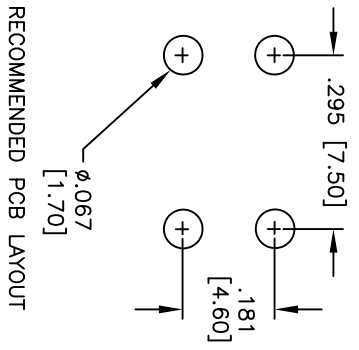
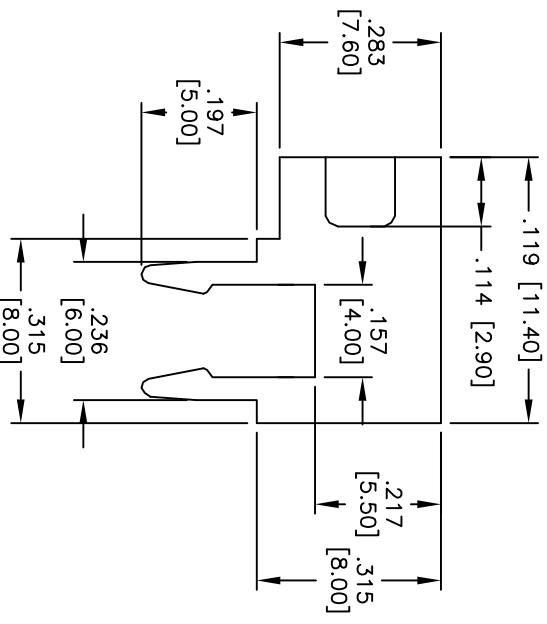
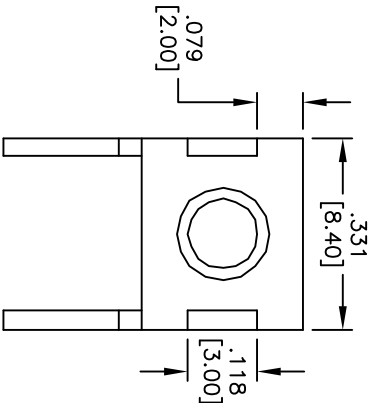
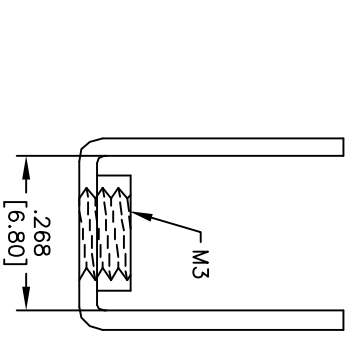


Rev	AWO #	Description	Date	Appr
-		RELEASED	1/11/11	

APPROVED: _____

DATE: _____ TITLE: _____



RECOMMENDED PCB LAYOUT

SPECIFICATIONS:

Material:
Body: Brass, Tin plated
Environmental:
Lead free, RoHS compliant.



UNLESS OTHERWISE SPECIFIED
ALL DIMENSIONS ARE INCHES [MM]
TOLERANCES: EXCEPT AS NOTED
INCHES
X ± .10 ØX ± .10
.XX ± .020 ØXX ± .015
.XXX ± .015 ØXXX ± .010

ADAM TECH
909 Railway Avenue, Union, NJ 07083
Phone: 908-687-5000 Fax: 908-687-5710

TERMINAL, TIN PLATED

APPROVALS		DATE
DRAWN	AY	1/11/11
CHECKED	JL	1/11/11
APPROVED		

SIZE	PART NO.	REV.
X	CP-11022	-

REF: S00179T SCALE: NTS SHEET 1 OF 1

6 5 4 3 2 1