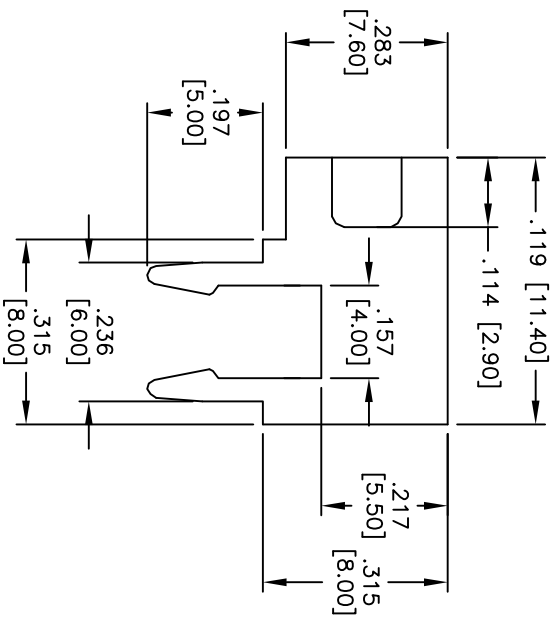
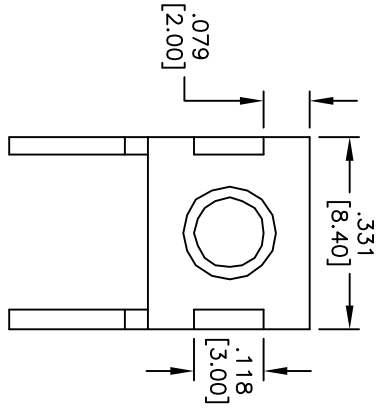
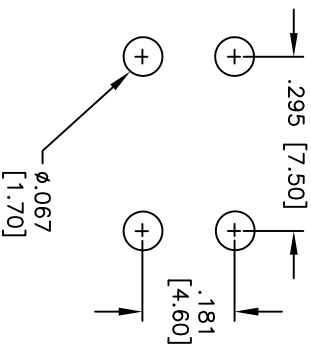
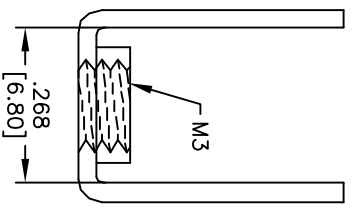


Rev	AWO #	Description	Date	Appr
-		RELEASED	1/12/11	

APPROVED: \_\_\_\_\_  
 DATE: \_\_\_\_\_ TITLE: \_\_\_\_\_



**SPECIFICATIONS:**

Material: Brass, Matte Tin plated  
 Environmental: Lead free, RoHS compliant.



UNLESS OTHERWISE SPECIFIED ALL DIMENSIONS ARE IN INCHES [MM]	
TOLERANCES: EXCEPT AS NOTED	
INCHES	HOLDS
.X ± .10	ØX ± .10
.XX ± .020	ØXX ± .015
.XXX ± .015	ØXXX ± .010
APPROVALS	DATE
DRAWN AY	1/12/11
CHECKED JL	1/12/11
APPROVED	

**ADAM TECH**  
 909 Rahway Avenue, Union, NJ 07083  
 Phone: 908-687-5000 Fax: 908-687-5710

TERMINAL, MATTE TIN PLATED

SIZE X	PART NO. CP-11022-MT	REV. -
REF: S0079T	SCALE: NTS	SHEET 1 OF 1