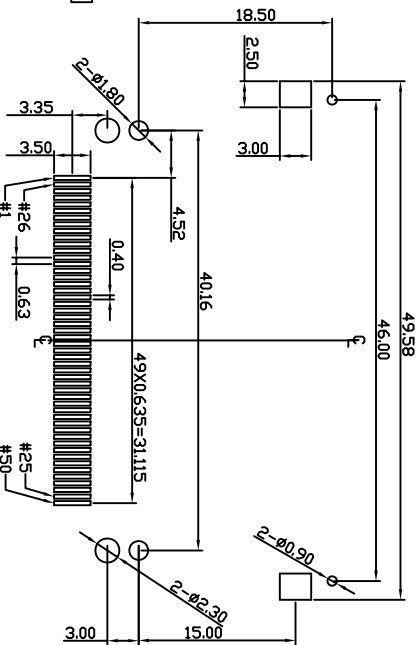
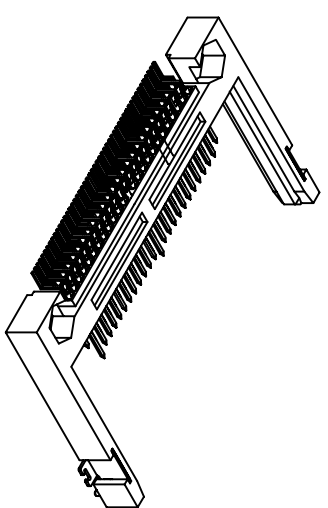
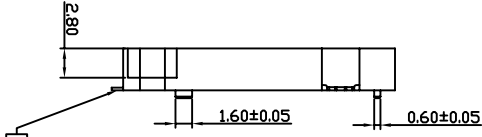
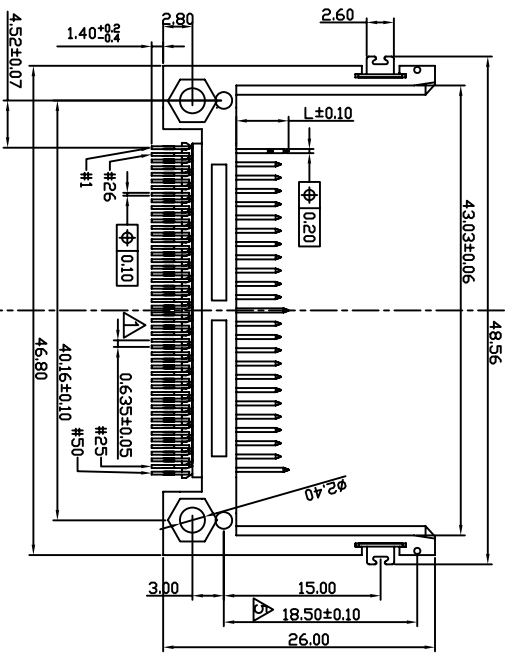
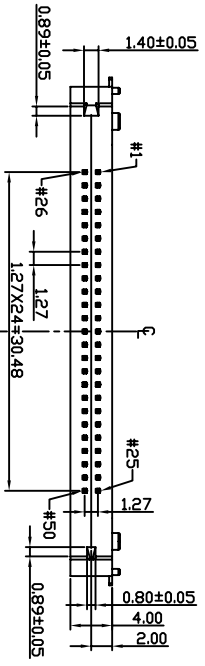


Rev	AWO #	Description	Date	Appr
-		RELEASED	2/8/06	

APPROVED: _____
 DATE: _____ TITLE: _____



RECOMMENDED P.C.B. LAYOUT
 TOLERANCES: ±0.05mm

POWER	5.00mm	1,13,38,50
GENERAL	4.25mm	all other pins
DETECT	3.50mm	25,26
Pin type	Interface Dim. L	Pin No.

SPECIFICATIONS:
 Material: Insulator: LCP, glass reinforced, rated UL 94V-0
 Insulator color: Beige
 Contacts: Brass
Plating:
 15u" Gold over Nickel underplate on contact area, Tin over Copper underplate on SMT tails

Electrical:
 Operating voltage: 100 VAC max
 Current rating: 0.5 Amps max
 Contact resistance: 40 mohms
 Insulation resistance: 1000 Mohms min
 Dielectric withstanding voltage: 500 VAC for 1 minute

Temperature Rating:
 Operating temperature: -20C to +90C
 Environmental:
 Lead free, RoHS compliant.
 Recommended soldering temp: 260 for 5 sec.



UNLESS OTHERWISE SPECIFIED
 ALL DIMENSIONS ARE INCHES [MM]
 TOLERANCES: EXCEPT AS NOTED
 INCHES HOLES
 .X ±.10 Ø.X ±.10
 .XX ±.020 Ø.XXX ±.015
 .XXX ±.015 Ø.XXXX ±.010

ADAM TECH
 909 Rahway Avenue, Union, NJ 07083
 Phone: 908-687-5000 Fax: 908-687-5710

TITLE
 CF SOCKET, SLIM TYPE, REVERSE MOUNT

DRAWN	SS	2/8/06	DATE
CHECKED			
APPROVED			
SIZE	PART NO.	SCALE	SHEET
X	CFR-50-A-SG-1-15	NTS	1 OF 1