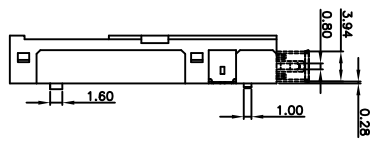
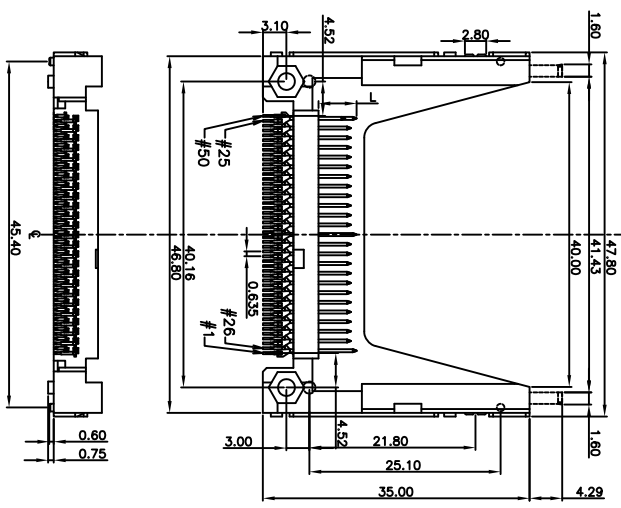
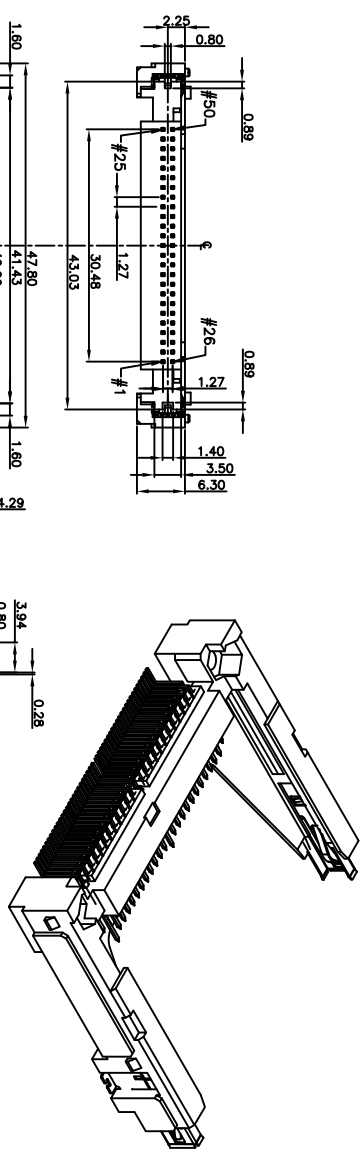
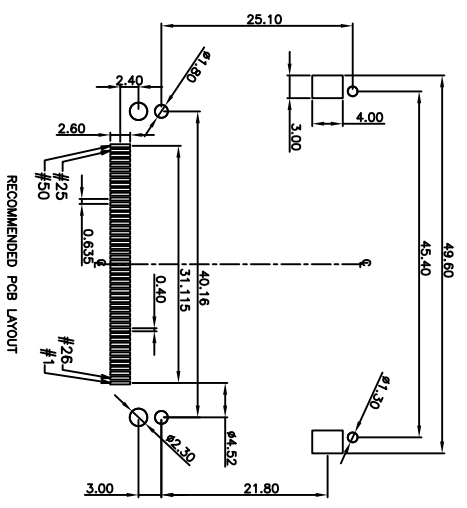


Rev	AWO #	Description	Date	Appr
-		RELEASED	12/30/10	

APPROVED: _____
 DATE: _____ TITLE: _____



POWER	5.00mm	1, 13, 38, 50
GENERAL	4.25mm	all other pins
DETECT	3.50mm	25, 26
Pin type	Interface Dim. L	Pin No.



SPECIFICATIONS:
 Material: Thermal Plastic, rated UL 94V-0
 Insulator: Copper Alloy
 Mount Ear: Copper Alloy
 Plating: Gold flash over Nickel underplate on contact area, Tin over copper underplate on tails.
 Electrical: Operating Voltage: 100 VACmax
 Current rating: 0.5 Amp max
 Contact resistance: 40 mohms max
 Insulation resistance: 1,000 Mohms min
 Dielectric withstanding voltage: 500 VAC for 1 minute
 Temperature Rating: Operating temperature: -20°C to +90°C
 Environmental: Lead free, RoHS compliant
 Recommended soldering temp: 260°C for 5 seconds

ADAM TECH
 909 Rahway Avenue, Union, NJ 07083
 Phone: 908-687-5000 Fax: 908-687-5710

CF TYPE I / II SOCKET
 TOP MOUNT, W/ GROUNDING

UNLESS OTHERWISE SPECIFIED
 ALL DIMENSIONS ARE IN MM
 TOLERANCES: EXCEPT AS NOTED
 INCHES
 .X ± .10 ØX ± .10
 .XX ± .020 ØXX ± .015
 .XXX ± .015 ØXXX ± .010
 APPROVALS DATE
 DRAWN DY 12/30/10
 CHECKED
 APPROVED

