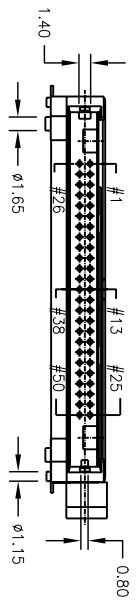
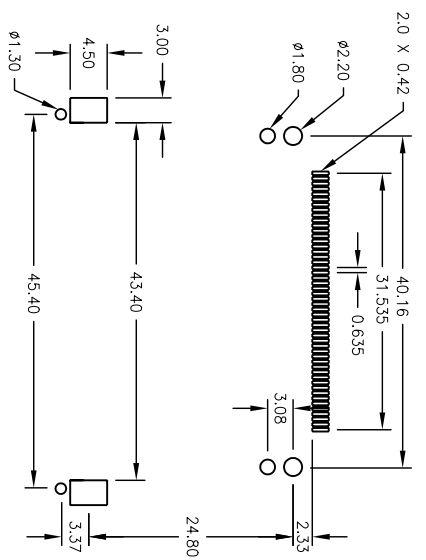
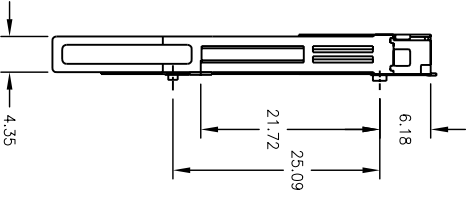
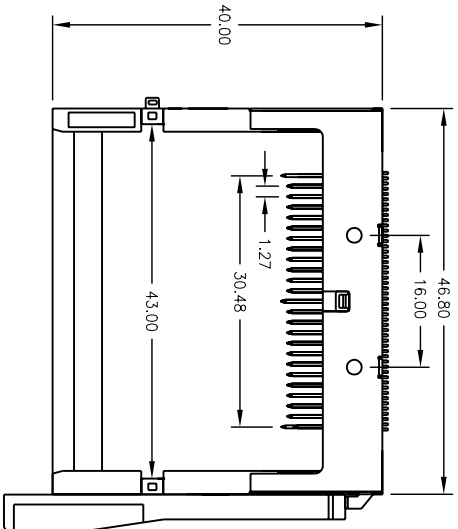
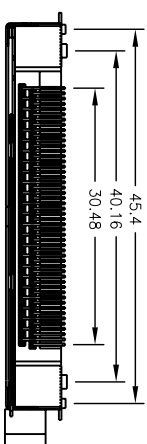


Rev	AWO #	Description	Date	Appr
-		RELEASED	04/12/05	

APPROVED: _____ TITLE: _____
 DATE: _____



SPECIFICATIONS:

Material:
 Insulator: LCP, rated UL 94V-0
Contacts: Brass
Plating:
 Tin over Nickel underplate on contact area,
 Tin over Copper underplate on SMT tails
Electrical:
 Operating voltage: 250 VAC max
 Current rating: 0.5 Amps max
 Contact resistance: 40 mohms max
 Insulation resistance: 500 Mohms min
 Dielectric withstanding voltage: 500 VAC for 1 minute
Temperature Rating:
 Operating temperature: -20C to +85C
 Environmental:
 Lead free, RoHS compliant.
 Recommended soldering temp: 260 for 5 sec.



ADAM TECH

909 Ratway Avenue, Union, NJ 07083
 Phone: 908-687-5000 Fax: 908-687-5710

TITLE: COMPACT FLASH HEADER, TYPE 2, WITH
 ELECTOR, SURFACE MOUNT

UNLESS OTHERWISE SPECIFIED ALL DIMENSIONS ARE INCHES. [MM]		APPROVALS		DATE	
TOLERANCES: EXCEPT AS NOTED		DRAWN		SS	
INCHES		CHECKED		04/12/05	
HOLES		APPROVED			
.X ± .10	Ø.X ± .10				
.XX ± .020	Ø.XXX ± .015				
.XXX ± .015	Ø.XXXX ± .010				
SIZE	PART NO.	REV.			
X	CF2-50-SG-EJ				
SCALE:	NTS	SHEET	1 OF 1		