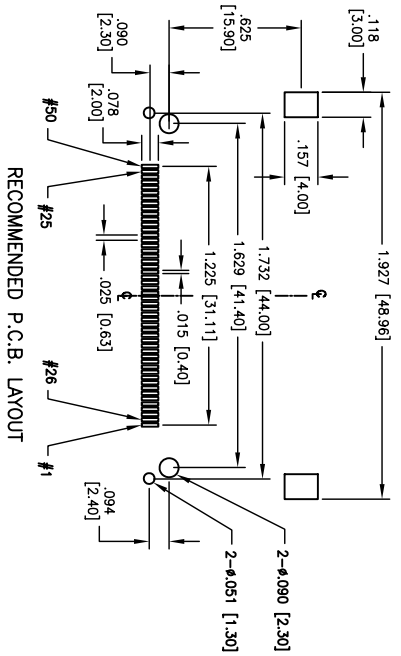
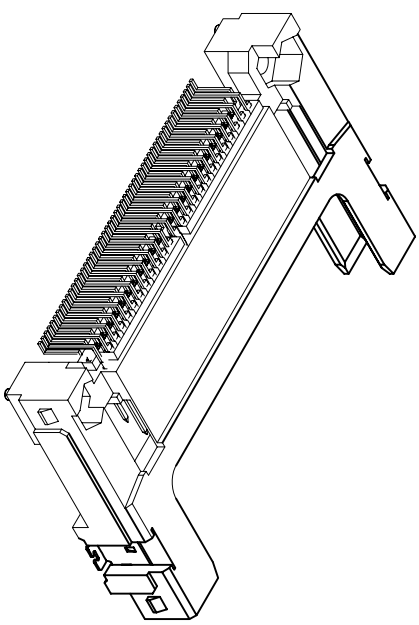
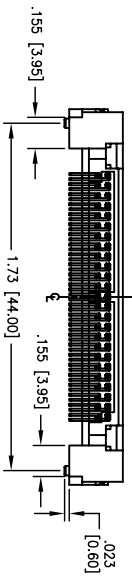
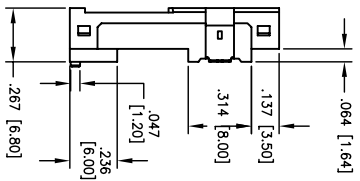
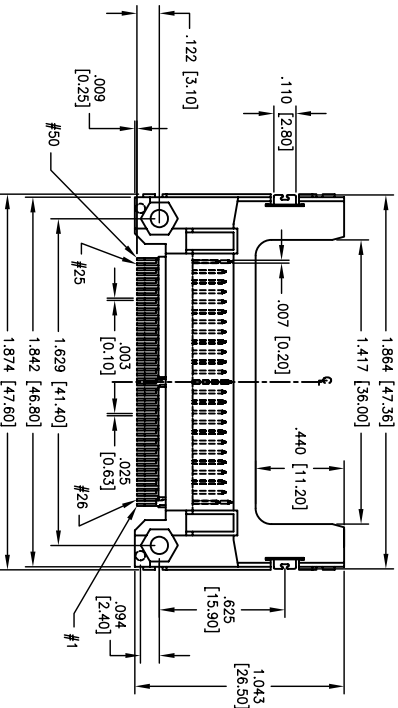
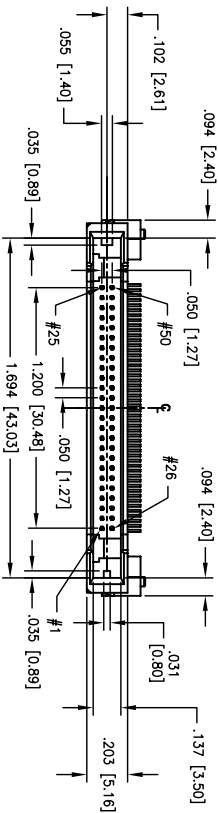


APPROVED: \_\_\_\_\_  
 DATE: \_\_\_\_\_ TITLE: \_\_\_\_\_

Rev	AWO #	Description	Date	Appr
-		RELEASED	8/24/07	
A		ADDED MATING & LIFE CYCLES	8/27/07	



**SPECIFICATIONS:**

- Material: Insulator: LCP, glass reinforced, rated UL 94V-0
- Insulator color: Beige
- Contacts: Brass
- Plating: Gold Flash over Nickel underplate on contact area, Tin over Copper underplate on SMT toils
- Electrical:
  - Operating voltage: 100 VAC max
  - Current rating: 0.5 Amps max
  - Contact resistance: 40 mohms
  - Insulation resistance: 1000 Mohms min
  - Dielectric withstanding voltage: 500 VAC for 1 minute
- Mechanical:
  - Life Cycles: 10K mating cycles min.
  - Mating Force: 28.8N max.
  - Unmating Force: 4.9N Min. / 24.5N Max.
  - Temperature Rating: Operating temperature: -20C to +90C
  - Environmental: Lead free, RoHS compliant.
  - Recommended soldering temp: 260C for 5 sec.

POWER	5.00mm	1,13,38,50
GENERAL	4.25mm	all other pins
DETECT	3.50mm	25,26
Pin type	Interface Dim. L	Pin No.

UNLESS OTHERWISE SPECIFIED  
 ALL DIMENSIONS ARE INCHES [MM]  
 TOLERANCES: EXCEPT AS NOTED  
 INCHES: .X ± .10  
 .XX ± .020  
 .XXX ± .015  
 .XXXX ± .010  
 HOLES: Ø.X ± .10  
 Ø.XXX ± .015  
 Ø.XXXX ± .010

**ADAM TECH**  
 909 Ratway Avenue, Union, NJ 07083  
 Phone: 908-687-5000 Fax: 908-687-5710

APPROVALS	DATE	TITLE	SIZE	PART NO.	REV.
DRAWN	SS	8/24/07		CF1-50-A-SG	A
CHECKED					
APPROVED					