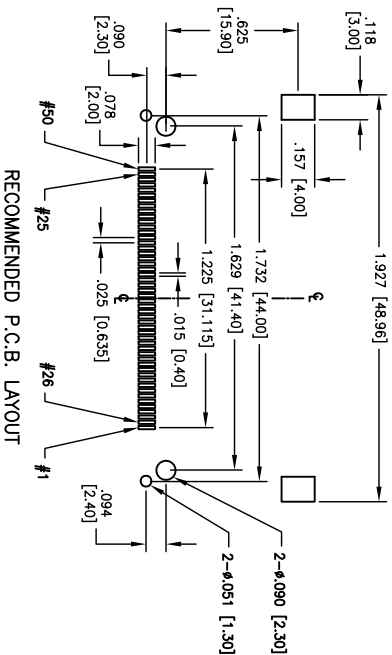
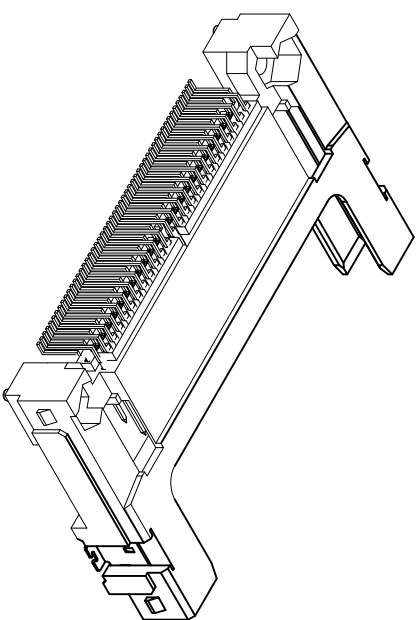
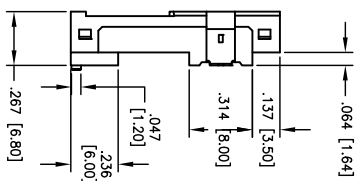
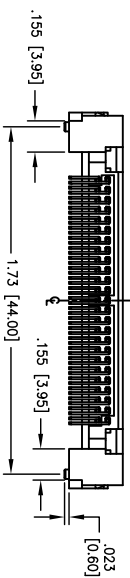
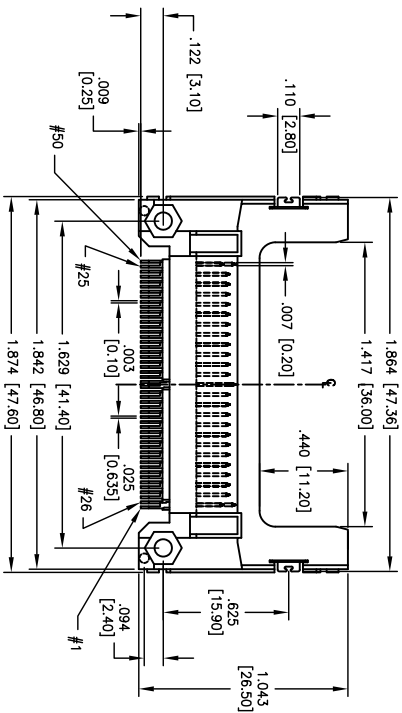
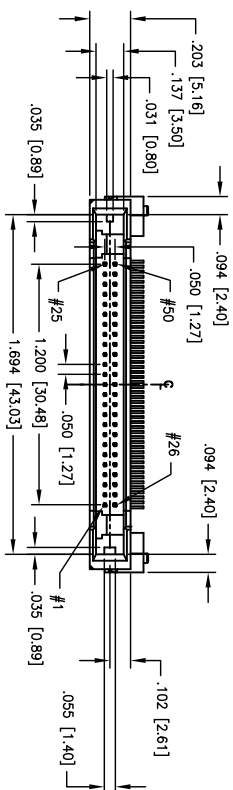


APPROVED: _____
 DATE: _____ TITLE: _____

Rev	AWO #	Description	Date	Appr
-		RELEASED	2/17/10	
A		REVISED SHAPE	3/10/10	



POWER	5.00mm	1, 13, 38, 50
GENERAL	4.25mm	all other pins
DETECT	3.50mm	25, 26
Pin type	Interface Dim. L	Pin No.

SPECIFICATIONS:
 Material: LCP, glass reinforced, rated UL 94V-0
 Insulator color: Beige
 Contacts: Brass
 Plating:
 15u" Gold over Nickel underplate on contact area,
 Tin over Copper underplate on SMT tails
Electrical:
 Operating voltage: 100 VAC max
 Current rating: 0.5 Amps max
 Contact resistance: 40 mohms
 Insulation resistance: 1000 Mohms min
 Dielectric withstanding voltage: 500 VAC for 1 minute
Mechanical:
 Life Cycles: 10K mating cycles min.
 Mating Force: 28.8N max.
 Unmating Force: 4.9N Min. / 24.5N Max.
Temperature Rating:
 Operating temperature: -20°C to +90°C
 Environmental:
 Lead free, RoHS compliant.
 Recommended soldering temp: 260°C for 5 sec.

UNLESS OTHERWISE SPECIFIED
 ALL DIMENSIONS ARE INCHES [MM]
 TOLERANCES: EXCEPT AS NOTED
 INCHES
 .X ± .10
 .XX ± .020
 .XXX ± .015
 .XXXX ± .010
 HOLES
 Ø.X ± .10
 Ø.XXX ± .015
 Ø.XXXX ± .010
 APPROVALS
 DRAWN SS 8/24/07
 CHECKED
 APPROVED

ADAM TECH
 909 Railway Avenue, Union, NJ 07083
 Phone: 908-687-5000 Fax: 908-687-5710
 TITLE: COMPACT FLASH HEADER, TYPE 1,
 SURFACE MOUNT

SIZE	PART NO.	REV.
X	CF1-50-A-SG-15	A
REF: S00009T	SCALE: NTS	SHEET 1 OF 1