

6

5

4

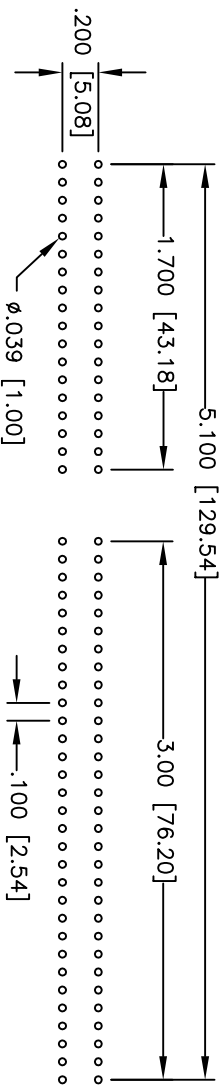
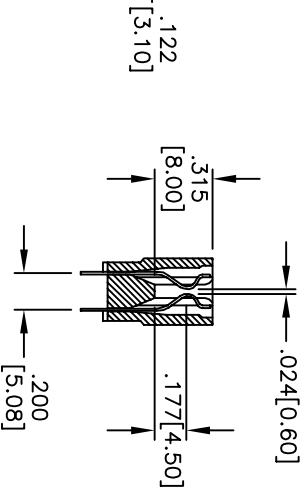
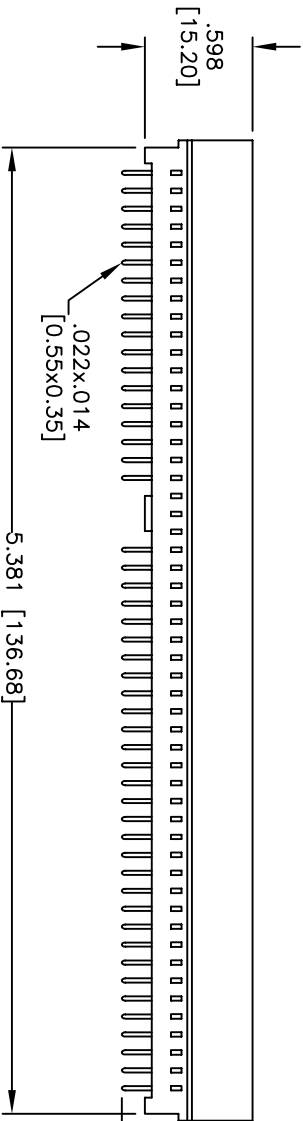
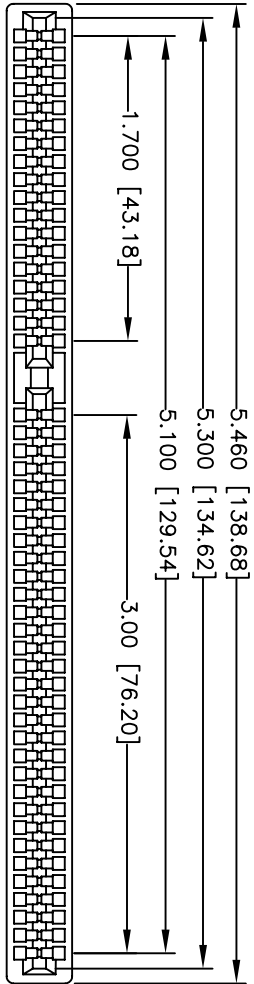
3

2

1

APPROVED: _____
 DATE: _____ TITLE: _____

Rev	AWO #	Description	Date	Appr
-		RELEASED	3/23/05	
A		ADD INSERTION DEPTH DIM.	3/26/08	



PCB LAYOUT

SPECIFICATIONS:

- Material: PBT, Glass reinforced, rated UL 94V-0
- Insulator color: Black
- Contacts: Copper Alloy
- Plating: Gold flash over Nickel underplate on contact area, Tin over Copper underplate on PCB tails
- Electrical:
 - Operating voltage: 250 VAC max.
 - Current rating: 3 Amps max.
 - Contact resistance: 30 mohms max. initial
 - Insulation resistance: 3,000 Mohms min.
 - Dielectric withstanding voltage: 500 VAC for 1 minute
- Temperature Rating: Operating temperature: -40°C to +105°C
- Environmental: Lead free, RoHS complaint
- Recommended soldering temp: 230°C for 5 seconds



A

B

C

D

A

B

C

D

6

5

4

3

2

1

ADAM TECH
 909 Rahway Avenue, Union, NJ 07083
 Phone: 908-687-5000 Fax: 908-687-5710

TITLE: CARD EDGE CONNECTOR
 VERTICAL, PCB

UNLESS OTHERWISE SPECIFIED ALL DIMENSIONS ARE INCHES [MM] TOLERANCES: EXCEPT AS NOTED		INCHES		HOLES	
X	± .10	Ø X	± .10		
.XX	± .020	Ø XX	± .015		
.XXX	± .015	Ø XXX	± .010		
APPROVALS		DATE			
DRAWN	SS	3/23/05			
CHECKED					
APPROVED					
SIZE	PART NO.	SCALE: NTS		SHEET	REV.
X	CE-98-U			1 OF 1	A