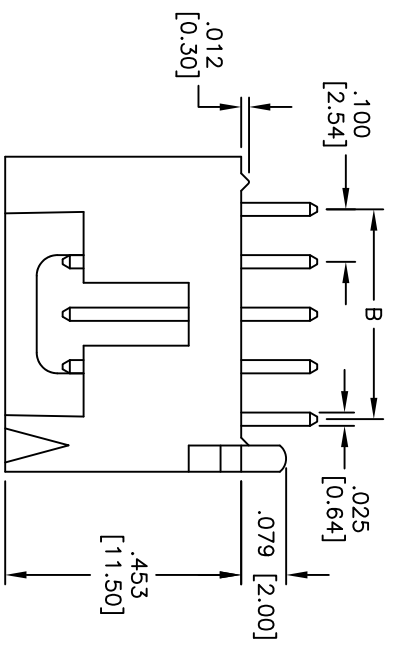
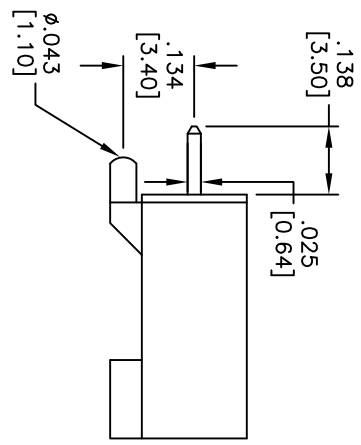
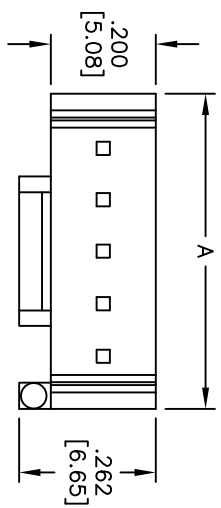


Rev	AWO #	Description	Date	Appr
-		RELEASED	10/15/09	

APPROVED: _____
 DATE: _____ TITLE: _____



Positions: 3, 4, 5
 A = .100 [2.54] x No. of Positions + .102 [2.60]
 B = .100 [2.54] x No. of Spaces

SPECIFICATIONS:

Material:

Insulator: PBT, rated UL 94V-0

Insulator color: Black

Contacts: Brass

Plating:

Gold flash over Nickel underplate overall

Electrical:

Operating voltage: 250 VAC max

Current rating: 2.5 Amps max

Contact resistance: 30 mohms max

Insulation resistance: 1,000 Mohms min

Dielectric withstanding voltage: 600 VAC for 1 minute

Temperature Rating:

Operating temperature: -25°C to +85°C

Environmental:

Lead free, RoHS compliant

Recommended soldering temp: 235°C for 5 seconds



UNLESS OTHERWISE SPECIFIED ALL DIMENSIONS ARE INCHES [MM]	
TOLERANCES: EXCEPT AS NOTED	
INCHES	HOLES
.X ± .10	Ø.X ± .10
.XX ± .020	Ø.XX ± .015
.XXX ± .015	Ø.XXX ± .010
APPROVALS	DATE
DRAWN	DY
CHECKED	
APPROVED	

ADAM TECH
 909 Rahway Avenue, Union, NJ 07083
 Phone: 908-687-5000 Fax: 908-687-5710

TITLE: .100 [2.54] LATCHING HEADER
 STRAIGHT, PCB TYPE

SIZE	PART NO.	REV.
X	CDR-XX-GS-P1	-
REF: S00016T	SCALE: NTS	SHEET 1 OF 1

6 5 4 3 2 1