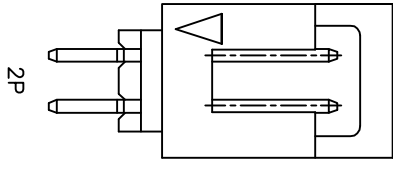
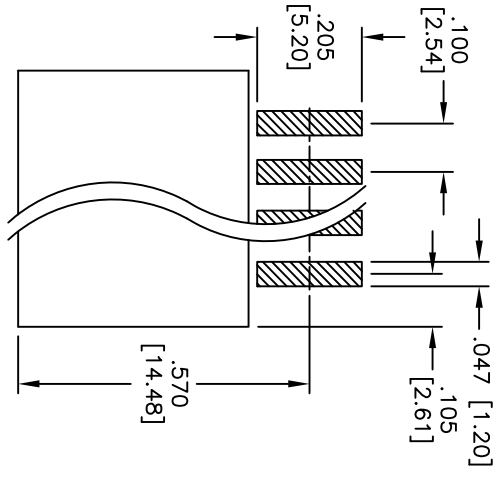
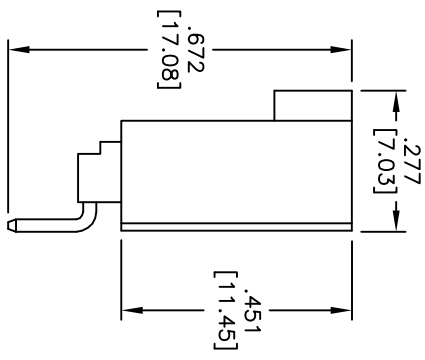
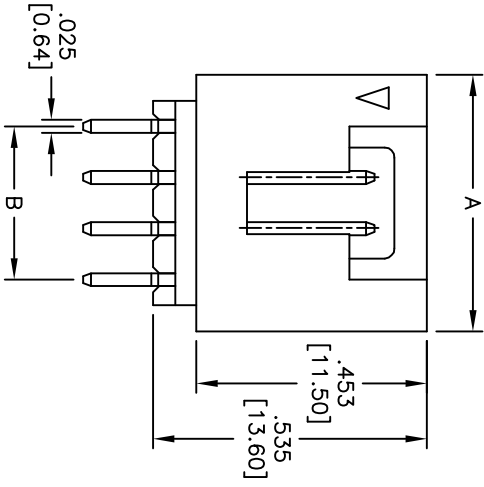
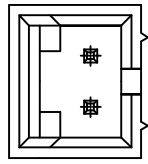
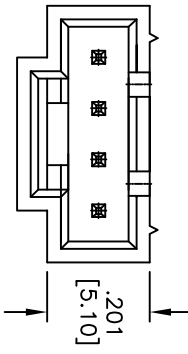


Rev	AWO #	Description	Date	Appr
-	105119	RELEASED	9/27/10	

APPROVED: \_\_\_\_\_  
 DATE: \_\_\_\_\_ TITLE: \_\_\_\_\_



RECOMMENDED PCB LAYOUT

Positions: 2 thru 12  
 A = .100 [2.54] x No. of Positions + .100 [2.54]  
 B = .100 [2.54] x No. of Spaces

**SPECIFICATIONS:**  
 Material: Insulator: Nylon 66, rated UL 94V-2  
 Insulator color: Black  
 Contacts: Phosphor Bronze  
 Plating: 15u" Gold over Nickel underplate overall  
 Electrical: Operating voltage: 250 VAC max  
 Current rating: 3 Amps max  
 Insulation resistance: 1,000 Mohms min  
 Withstanding voltage: 1000 VAC for 1 minute  
 Environmental: Lead free, RoHS compliant  
 Recommended soldering temp: 235°C for 5 seconds



**ADAM TECH**

909 Rahway Avenue, Union, NJ 07083  
 Phone: 908-687-5000 Fax: 908-687-5710

TITLE: .100 [2.54] WAFER, RIGHT ANGLE, SMT TYPE

UNLESS OTHERWISE SPECIFIED ALL DIMENSIONS ARE INCHES [MM]		TOLERANCES: EXCEPT AS NOTED	
INCHES		HOLDS	
.X	± .10	ØX	± .10
.XX	± .020	ØXXX	± .015
.XXX	± .015	ØXXXX	± .010
APPROVALS	DATE	TITLE	
DRAWN	DY	9/27/10	
CHECKED		SIZE PART NO.	
APPROVED		X CDR-XX-GR-SMT-NP-V2-15	
		REF:	S000163T
		SCALE:	NTS
		SHEET	1 OF 1