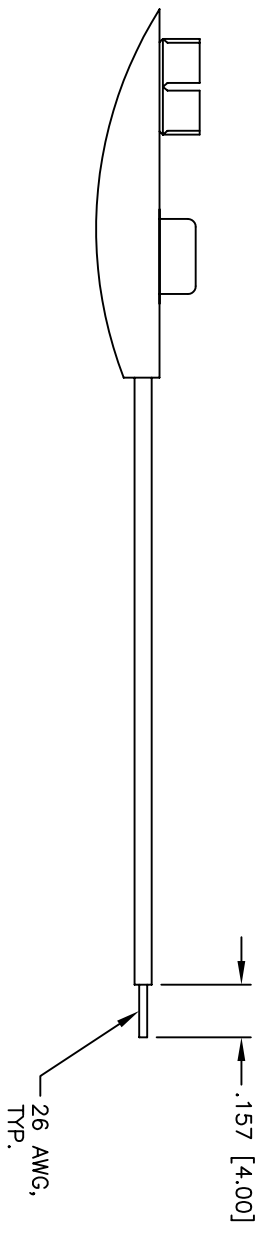
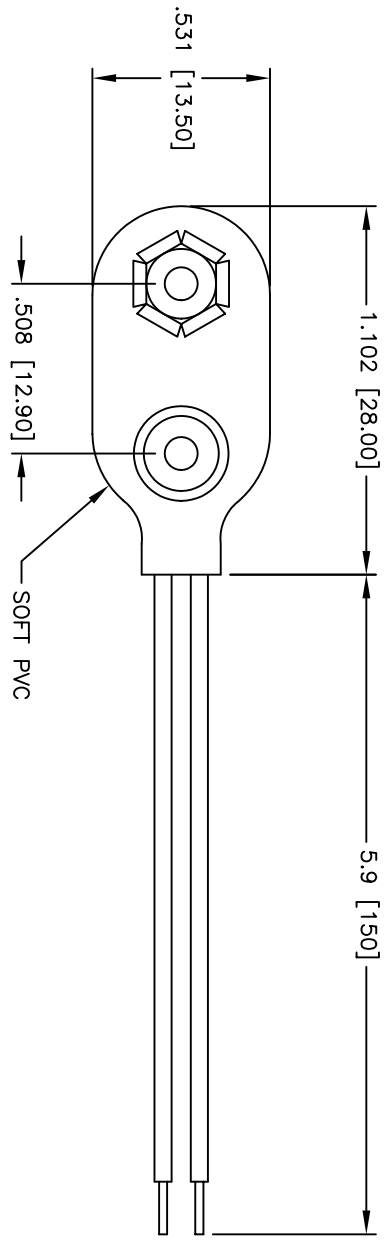


APPROVED: _____	DATE: _____	TITLE: _____
Rev	AWO #	Description
-		RELEASED
		Date
		1/26/05
		Appr



SPECIFICATIONS:
 Material:
 Soft PVC
 Snap terminals: Brass, Nickel plated
 Wire: 26 AWG, PVC insulation
 Electrical:
 Operating voltage: 9 VDC max.
 Temperature Rating:
 Operating temperature: -10°C to +180°C
 Environmental:
 Lead free, RoHS compliant



UNLESS OTHERWISE SPECIFIED ALL DIMENSIONS ARE INCHES [MM] TOLERANCES: EXCEPT AS NOTED	
INCHES	HOLES
.X ±.10	ØX ±.10
.XX ±.020	ØXX ±.015
.XXX ±.015	ØXXX ±.010
APPROVALS	
DRAWN	SS
CHECKED	
APPROVED	
DATE	1/26/05

ADAM TECH
 909 Rahway Avenue, Union, NJ 07083
 Phone: 908-687-5000 Fax: 908-687-5710

TITLE: BATTERY SNAP, STANDARD LENGTH LEADS

SIZE: X
 PART NO.: BS-1-1
 SCALE: NTS
 SHEET: 1 OF 1