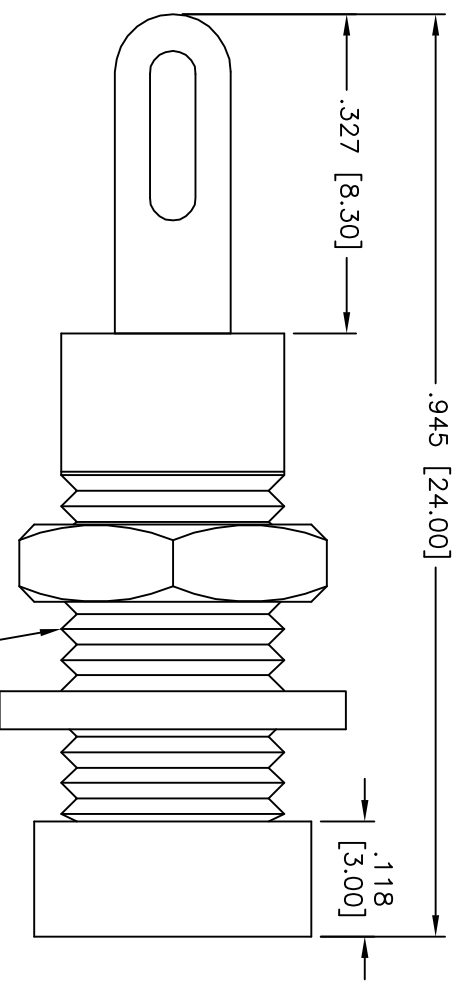


Rev	AWO #	Description	Date	Appr
-		RELEASED	10/16/09	

APPROVED: _____
 DATE: _____ TITLE: _____



ADAM P/N	INSULATOR COLOR
BJ-001-RD	RED
BJ-001-BK	BLACK
BJ-001-YL	YELLOW
BJ-001-GN	GREEN

A SPECIFICATIONS:

Material:
 Insulator: ABS
 Contact: Brass, Nickel plated.
 Environmental:
 Lead free, RoHS compliant.



UNLESS OTHERWISE SPECIFIED
 ALL DIMENSIONS ARE INCHES [MM]
 TOLERANCES: EXCEPT AS NOTED
 INCHES
 .X ± .10 ØX ± .10
 .XX ± .020 ØXX ± .015
 .XXX ± .015 ØXXX ± .010

ADAM TECH
 909 Railway Avenue, Union, NJ 07083
 Phone: 908-687-5000 Fax: 908-687-5710

2.0 BANANA JACK

DRAWN	DY	10/16/09
CHECKED		
APPROVED		

SIZE	PART NO.	REV.
X	BJ-001-XX	-
REF: S00037C	SCALE: NTS	SHEET 1 OF 1