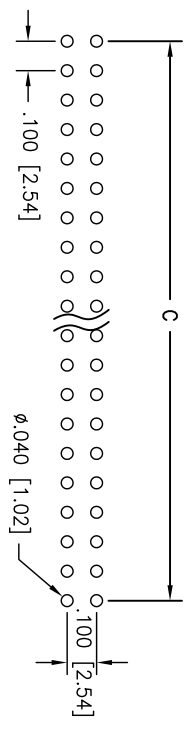
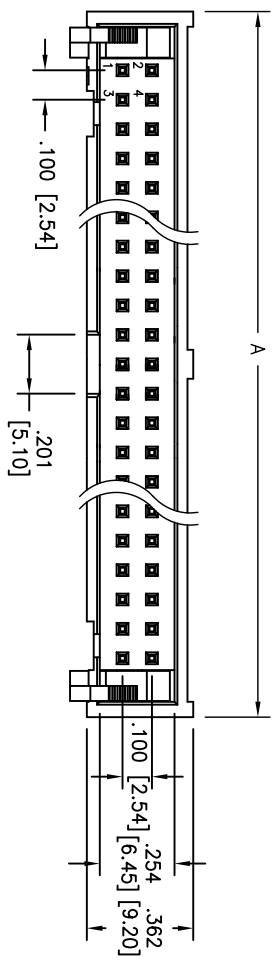
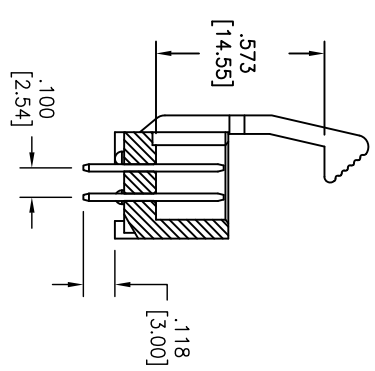
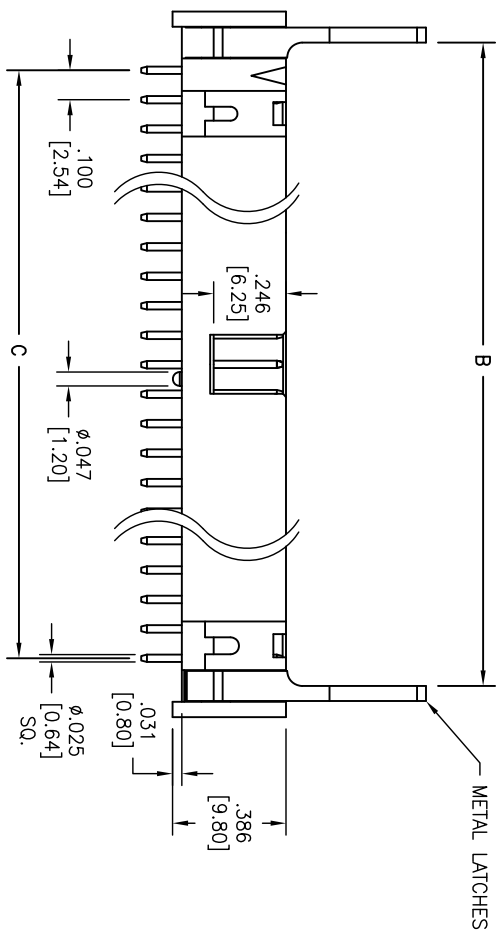


Rev	AWO #	Description	Date	Appr
-		RELEASED	10/26/10	

APPROVED: _____
 DATE: _____ TITLE: _____



RECOMMENDED PCB LAYOUT



SPECIFICATION:

Material:
 Insulator: PA6T, rated UL-94V-0
 Insulator Color: Black
 Metal Latch: Zinc Alloy, Nickel plated.
Contact Plating:
 Gold Flash over Nickel underplate overall

Electrical:

Operating Voltage: 350V AC max.
 Current rating: 3 Amps max.
 Contact resistance: 20 mohms max
 Insulation resistance: 1000 Mohms min
 Dielectric withstanding voltage: 1000 VAC / minute
Temperature Rating:
 Operating temperature: -40°C TO +105°C
 Environmental:
 Lead free, RoHS compliant.
 Recommended soldering temp: 260°C for 5 sec.

Positions: 06, 08, 10, 14, 16, 20, 26, 30, 34, 40, 50, 60, 64
 A = .100 [2.54] X No. of Positions / 2 + .300 [7.62]
 B = .100 [2.54] X No. of Positions / 2 + .088 [2.24]
 C = .100 [2.54] X No. of Positions / 2 - .100 [2.54]

UNLESS OTHERWISE SPECIFIED
 ALL DIMENSIONS ARE INCHES [MM]
 TOLERANCES: EXCEPT AS NOTED

INCHES	HOLES
.X ± .10	ØX ± .10
.XX ± .020	ØXX ± .015
.XXX ± .015	ØXXX ± .010

ADAM TECH
 909 Railway Avenue, Union, NJ 07083
 Phone: 908-687-5000 Fax: 908-687-5710

BOX HEADER, .100 PITCH, PCB MOUNT,
 2 ROW, METAL LATCH, GOLD PLATED

APPROVALS	DATE	TITLE	SIZE	PART NO.	SCALE	SHEET	REV.
DRAWN AY	10/26/10	BOX HEADER, .100 PITCH, PCB MOUNT, 2 ROW, METAL LATCH, GOLD PLATED	X	BHR-XX-VUA-ML-HT	NTS	1 OF 1	-
CHECKED AW	10/26/10						
APPROVED							

