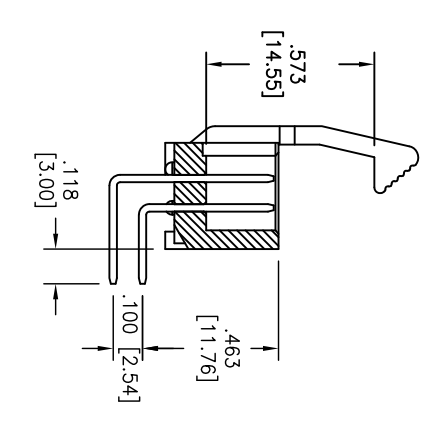
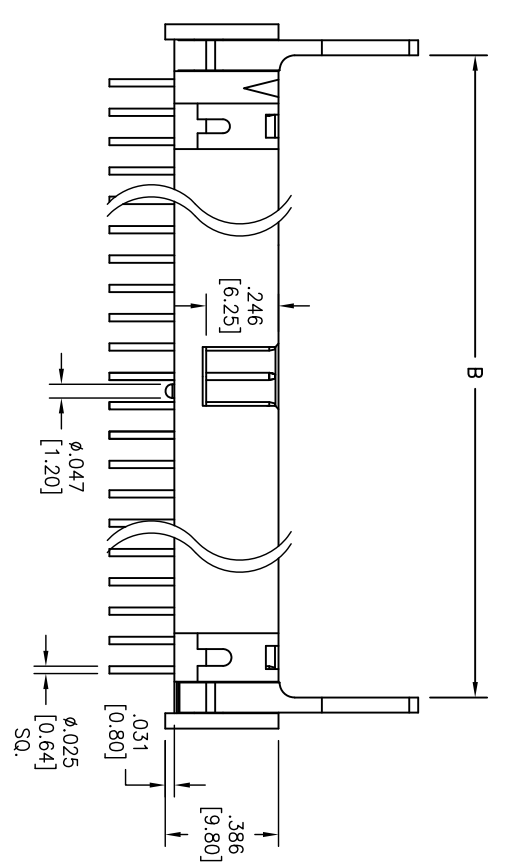


RECOMMENDED PCB LAYOUT



SPECIFICATION:
Material:
 Insulator: PA6T, rated UL-94V-0
 Insulator Color: Black
 Metal Latch: Zinc Alloy, Nickel plated.
 Contacts: Brass
Contact Plating:
 Gold Flash over Nickel underplate overall

Electrical:
 Operating Voltage: 350V AC max.
 Current rating: 3 Amps max.
 Contact resistance: 20 mohms max
 Insulation resistance: 1000 Mohms min
 Dielectric withstanding voltage: 1000 VAC / minute

Temperature Rating:
 Operating temperature: -40°C TO +105°C
 Environmental:
 Lead free, RoHS compliant.
 Recommended soldering temp: 260°C for 5 sec.

UNLESS OTHERWISE SPECIFIED
 ALL DIMENSIONS ARE INCHES [MM]
 TOLERANCES: EXCEPT AS NOTED
 INCHES: .10 ± .020 ØXX ± .015
 .XX ± .015
 .XXX ± .015

POSITIONS: 06, 08, 10, 14, 16, 20, 26, 30, 34, 40, 50, 60, 64
 A = .100 [2.54] X No. of Positions / 2 + .300 [7.62]
 B = .100 [2.54] X No. of Positions / 2 + .088 [2.24]
 C = .100 [2.54] X No. of Positions / 2 - .100 [2.54]

ADAM TECH
 909 Railway Avenue, Union, NJ 07083
 Phone: 908-687-5000 Fax: 908-687-5710

TITLE: BOX HEADER, HORIZONTAL PCB MOUNT,
 2 ROW .100 PITCH, GOLD PLATED

APPROVALS	DATE	SIZE	PART NO.	REV.
DRAWN AY	10/26/10	X	BHR-XX-HUA-ML-HT	-
CHECKED AW	10/26/10			
APPROVED		REF: S00019C	SCALE: NTS	SHEET 1 OF 1