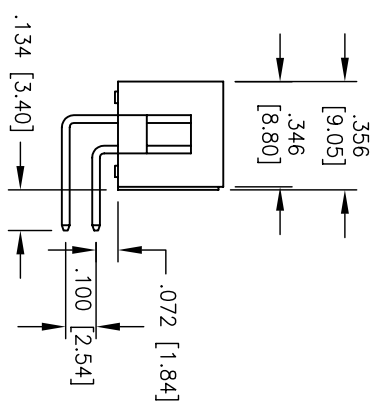
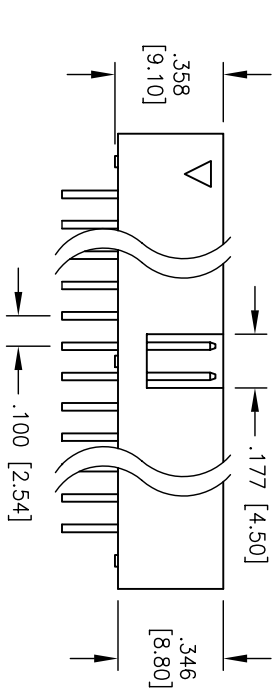
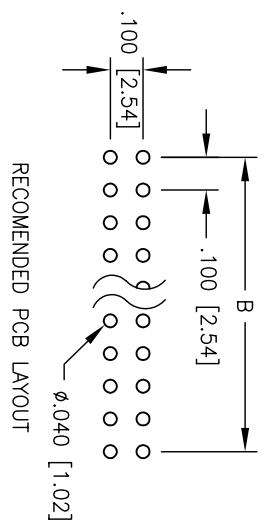
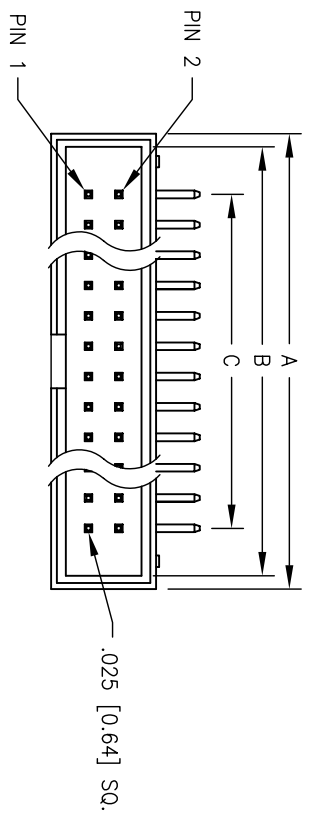


Rev	AWO #	Description	Date	Appr
-		RELEASED	7/28/04	

APPROVED: _____
 DATE: _____ TITLE: _____



A = .100 [2.54] X No. of Positions / 2 + .300 [7.60]
 B = .100 [2.54] X No. of Positions / 2 + .200 [5.08]
 C = .100 [2.54] X No. of Spaces

SPECIFICATION:
Material:
 Insulator: PBT, rated UL-94V-0
 Contacts: Brass
Contact Plating:
 30 u" Gold over Nickel underplate overall
Electrical:
 Operating Voltage: 250V AC max.
 Current rating: 1 Amps max.
 Contact resistance: 20 mohms max
 Insulation resistance: 5000 Mohms min
 Dielectric withstanding voltage: 1000 VAC / minute
Mechanical:
 Mating durability: 500 cycles min.
Temperature Rating:
 Operating temperature: -55° TO +105°
 Environmental:
 Lead free, RoHS compliant.
 Recommended soldering temp: 230 for 5 sec.



UNLESS OTHERWISE SPECIFIED
 ALL DIMENSIONS ARE INCHES [MM]
 TOLERANCES: EXCEPT AS NOTED
 INCHES ± .10 ØXX ± .10
 .XX ± .020 ØXX ± .015
 .XXX ± .015 ØXXX ± .010

ADAM TECH
 909 Rahway Avenue, Union, NJ 07083
 Phone: 908-687-5000 Fax: 908-687-5710

BOX HEADER, RIGHT ANGLE PCB MOUNT,
 2 ROW, .100 PITCH, GOLD FLASH PLATED

APPROVALS	DATE	TITLE	SIZE	PART NO.	REV.
DRAWN	SS	7/28/04	X	BHR-XX-HUA-30	-
CHECKED					
APPROVED					