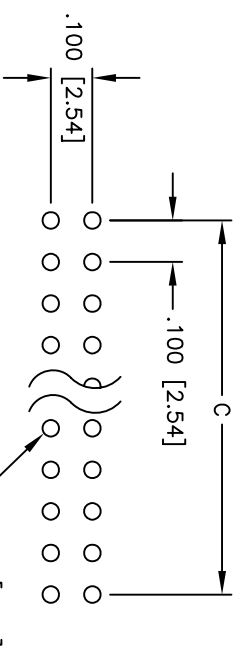
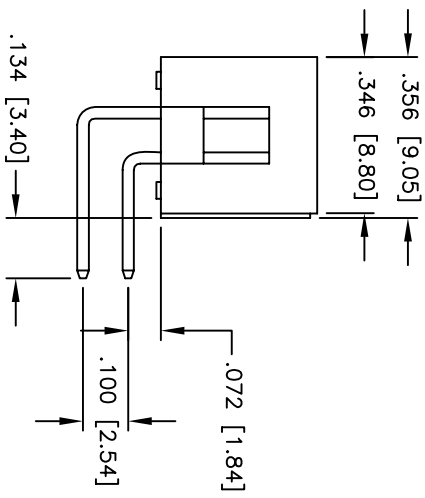
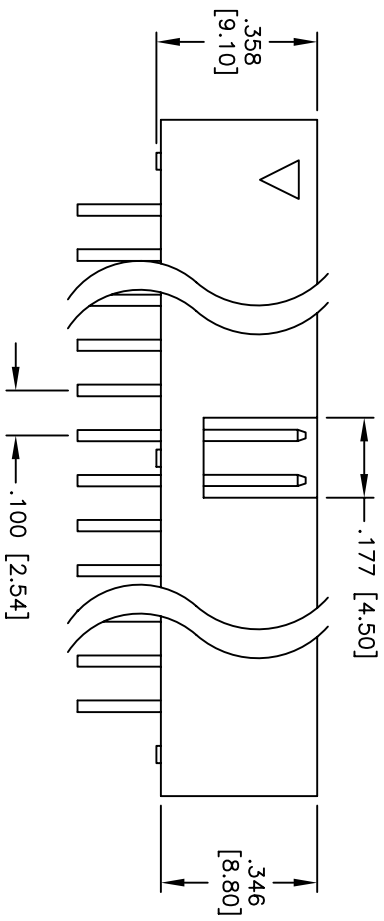


.025 [0.64] SQ.



PCB LAYOUT



SPECIFICATIONS:

Material: Insulator: PBT, Glass filled, rated UL 94V-0

Insulator color: Black

Contacts: Brass

Plating: Tin over Copper underplate overall

Electrical: Operating voltage: 250 VAC max.

Current rating: 1 Amp max.

Contact resistance: 20 mohms max. initial

Insulation resistance: 5,000 Mohms min.

Dielectric withstanding voltage: 1,000 VAC for 1 minute

Temperature Rating: Operating temperature: -55°C to +105°C

Environmental:

Lead free, ROHS compliant

Recommended soldering temp: 230°C for 5 seconds



Positions: 8, 10, 14, 16, 20, 24, 26, 30, 34, 40, 44, 50, 60, 64
 A = .100 [2.54] x No. of Positions/2 + .300 [7.62]
 B = .100 [2.54] x No. of Spaces/2 + .200 [5.08]
 C = .100 [2.54] x No. of Spaces

UNLESS OTHERWISE SPECIFIED
 ALL DIMENSIONS ARE INCHES [MM]
 TOLERANCES: EXCEPT AS NOTED

INCHES	HOLES
.X ± .10	ØX ± .10
.XX ± .020	ØXX ± .015
.XXX ± .015	ØXXX ± .010

APPROVALS

DATE	DATE
------	------

ADAM TECH
 909 Railway Avenue, Union, NJ 07083
 Phone: 908-687-5000 Fax: 908-687-5710

TITLE: .100 [2.54] BOX HEADER, RIGHT ANGLE, TIN PLATED, STANDARD SOLDER TAIL

DRAWN	SS	3/25/05	SIZE	PART NO.	REV.
CHECKED			X	BHR-XX-HTA	-
APPROVED			REF:	SCALE: NTS	SHEET 1 OF 1