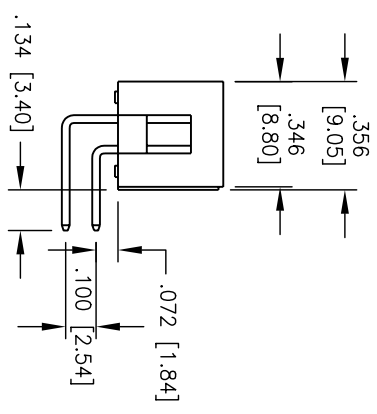
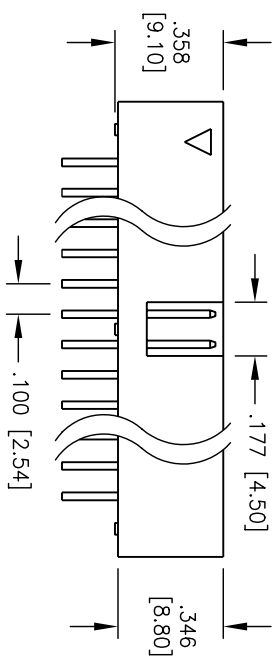
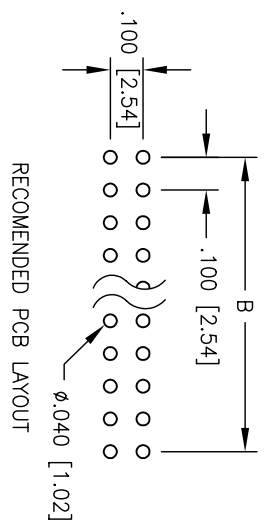
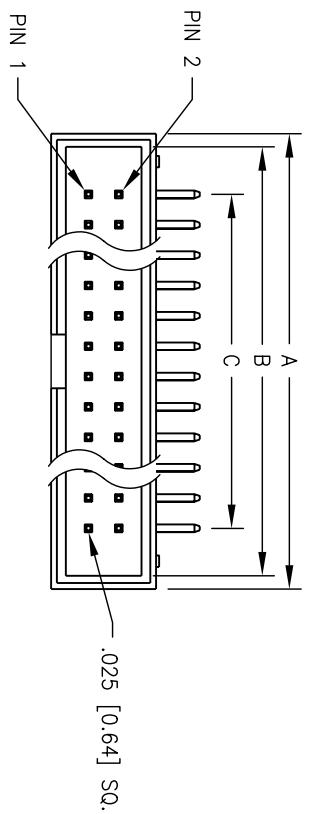


Rev	AWO #	Description	Date	Appr
-		RELEASED	7/28/04	

APPROVED: \_\_\_\_\_  
 DATE: \_\_\_\_\_ TITLE: \_\_\_\_\_



**SPECIFICATION:**  
**Material:**  
 Insulator: PBT, rated UL-94V-0  
 Contacts: Brass  
**Contact Plating:**  
 Gold Flash over Nickel underplate on mating area,  
 Tin over Copper underplate on tails

**Electrical:**  
 Operating Voltage: 250V AC max.  
 Current rating: 1 Amps max.  
 Contact resistance: 20 mohms max  
 Insulation resistance: 5000 Mohms min  
 Dielectric withstanding voltage: 1000 VAC / minute  
**Mechanical:**  
 Mating durability: 500 cycles min.  
 Temperature Rating:  
 Operating temperature: -55° TO +105°

A = .100 [2.54] X No. of Positions / 2 + .300 [7.60]  
 B = .100 [2.54] X No. of Positions / 2 + .200 [5.08]  
 C = .100 [2.54] X No. of Spaces

UNLESS OTHERWISE SPECIFIED  
 ALL DIMENSIONS ARE INCHES [MM]  
 TOLERANCES: EXCEPT AS NOTED

INCHES	HOLES
X ± .10	ØXX ± .10
.XX ± .020	ØXX ± .015
.XXX ± .015	ØXXX ± .010

APPROVALS

DATE	DATE
SS	7/28/04

**ADAM TECH**  
 909 Rahway Avenue, Union, NJ 07083  
 Phone: 908-687-5000 Fax: 908-687-5710

TITLE: BOX HEADER, RIGHT ANGLE PCB MOUNT,  
 2 ROW, .100 PITCH, SEL GOLD FLASH

REV	SIZE	PART NO.	REV
APPROVED	X	BHR-XX-HSGA	-

SCALE: NTS SHEET 1 OF 1