

6

5

4

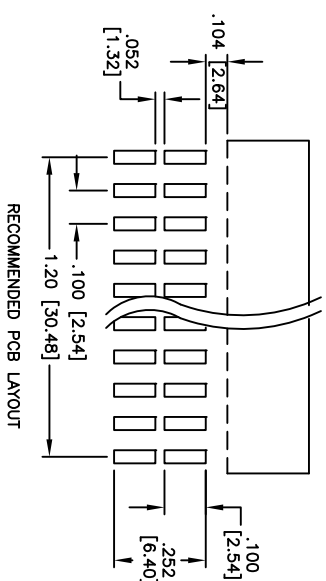
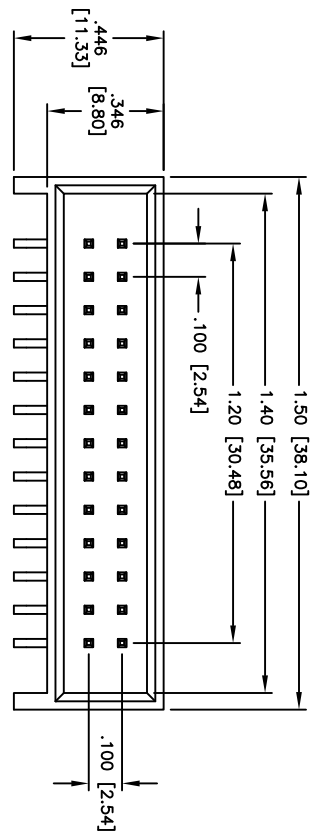
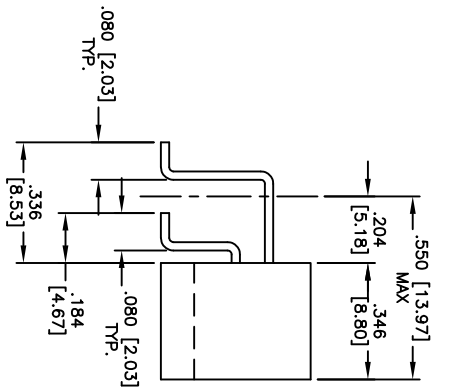
3

2

1

APPROVED: _____
 DATE: _____ TITLE: _____

Rev	AWO #	Description	Date	Appr
-	9350	RELEASED	7/14/10	
A	9350	ADDED DIM.	8/24/10	



SPECIFICATION:

Material:
 Insulator: Nylon 6T, rated UL-94V-0
 Insulator Color: Black
 Contacts: Phosphor Bronze
Contact Plating:
 Gold flash over Nickel underplate overall.

Electrical:
 Operating Voltage: 250V AC max.
 Current rating: 1 Amps max.
 Contact resistance: 20 mohms max
 Insulation resistance: 5000 Mohms min
 Dielectric withstanding voltage: 1000 VAC / minute

Mechanical:
 Mating durability: 500 cycles min.
Temperature Rating:
 Operating temperature: -40°C TO +105°C
 Environmental:
 Lead free, RoHS compliant.
 Recommended soldering temp: 260°C for 5 sec.

ADAM TECH

909 Railway Avenue, Union, NJ 07083
 Phone: 908-687-5000 Fax: 908-687-5710

CUSTOM R/A BOX HEADER, SMT

UNLESS OTHERWISE SPECIFIED ALL DIMENSIONS ARE INCHES [MM]	
TOLERANCES: EXCEPT AS NOTED	
INCHES	HOLES
.X ± .10	± .10
.XX ± .020	± .015
.XXX ± .015	± .010
APPROVALS	DATE
DRAWN SS	7/14/10
CHECKED	
APPROVED	

TITLE		REV.	
CUSTOM R/A BOX HEADER, SMT		A	
SIZE	PART NO.	SCALE	SHEET 1 OF 1
X	BHR-26-HUA-SMT-A9350	NIS	
REF:			

6

5

4

3

2

1

