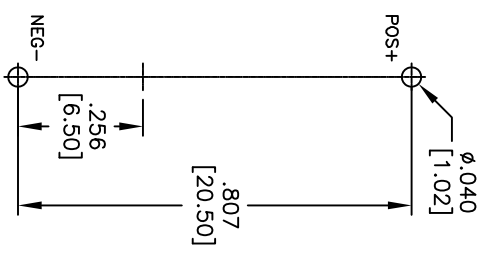
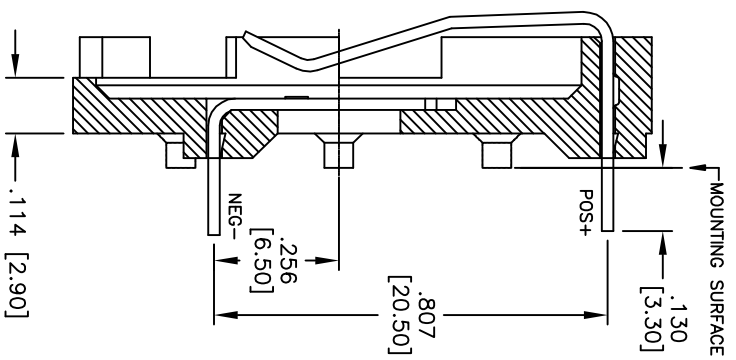
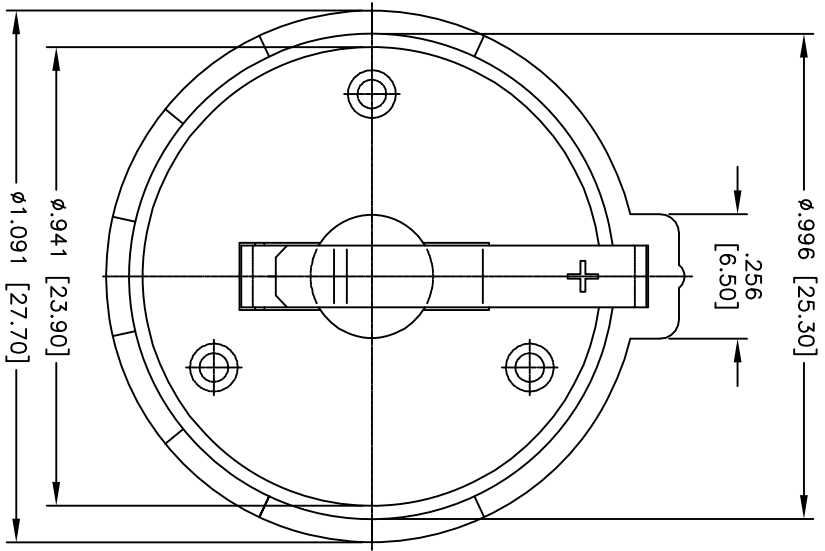


Rev	AWO #	Description	Date	Appr
-		RELEASED	3/09/11	

APPROVED: \_\_\_\_\_  
 DATE: \_\_\_\_\_ TITLE: \_\_\_\_\_



PCB HOLE PATTERN

**SPECIFICATIONS:**

**Material:**  
 Housing: Nylon, rated UL94V-0  
 Positive Contact: Phosphor Bronze, Nickel plated  
 Negative Contact: Brass, Nickel plated  
**Electrical:**  
 Rating: DC3V, 120mA  
 Inter-Contact resistance: 100m ohms Max.  
 Insulation resistance: 100m ohms Min.  
**Environmental:**  
 Lead free, RoHS compliant

**ADAM TECH**  
 909 Rahway Avenue, Union, NJ 07083  
 Phone: 908-687-5000 Fax: 908-687-5710

TITLE  
**COIN CELL BATTERY HOLDER**

UNLESS OTHERWISE SPECIFIED ALL DIMENSIONS ARE IN INCHES [MM]	
TOLERANCES: EXCEPT AS NOTED	
INCHES	HOLDERS
.X ± .10	ØXX ± .10
.XX ± .020	ØXXX ± .015
.XXX ± .015	ØXXXX ± .010
APPROVALS	DATE
DRAWN	DY
CHECKED	
APPROVED	
	3/09/11

SIZE	PART NO.	REV.
X	BH-51-1	-
REF: S0021T	SCALE: NTS	SHEET 1 OF 1