

6

5

4

3

2

1

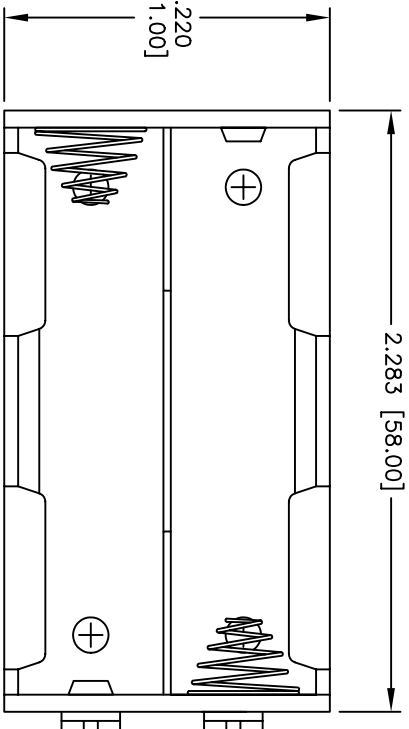
Rev	AWO #	Description	Date	Appr
-		RELEASED	1/17/05	

APPROVED: _____

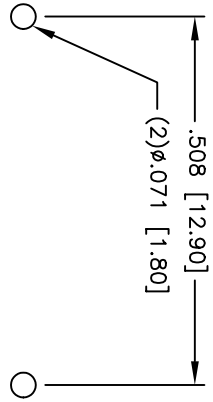
DATE: _____ TITLE: _____

2.283 [58.00]

1.220 [31.00]

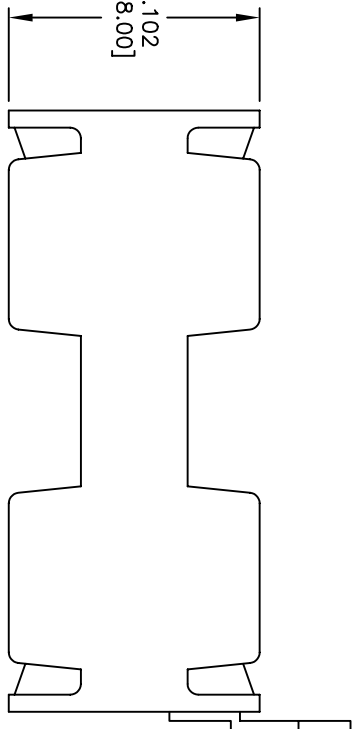


.508 [12.90]
(2)∅.071 [1.80]

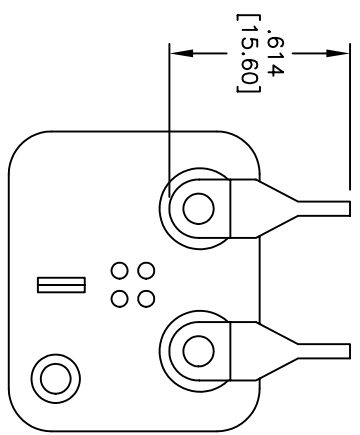


PCB LAYOUT

1.102 [28.00]



.614 [15.60]



SPECIFICATIONS:

- Material: Insulator: Impact resistant Polypropylene, rated UL94-HB
- Insulator color: Black
- Spring: Steel, Nickel plated
- Contacts: Steel, Nickel plated
- Electrical: Operating voltage: 1.5 VDC max.
- Temperature Rating: Operating temperature: -10°C to +80°C
- Environmental: Lead free, RoHS compliant
- Recommended soldering temp: 230°C for 5 seconds



ADAM TECH

909 Rahway Avenue, Union, NJ 07083
 Phone: 908-687-5000 Fax: 908-687-5710

TITLE: BATTERY HOLDER, PCB TERMINALS
 FOR FOUR "AA" CELLS

UNLESS OTHERWISE SPECIFIED ALL DIMENSIONS ARE INCHES [MM]	
TOLERANCES: EXCEPT AS NOTED	HOLDS
.X ± .10	∅XX ± .10
.XX ± .020	∅XXX ± .015
.XXX ± .015	∅XXXX ± .010
APPROVALS	DATE
DRAWN SS	1/17/05
CHECKED	
APPROVED	

SIZE X	PART NO. BH-05-1	REV. -
REF:	SCALE: NTS	SHEET 1 OF 1

6

5

4

3

2

1