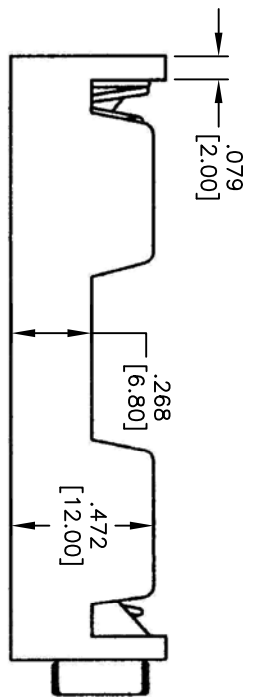
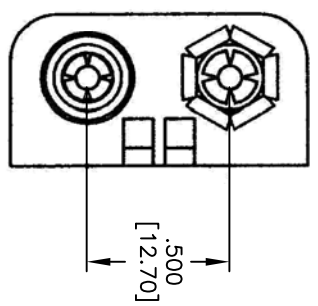
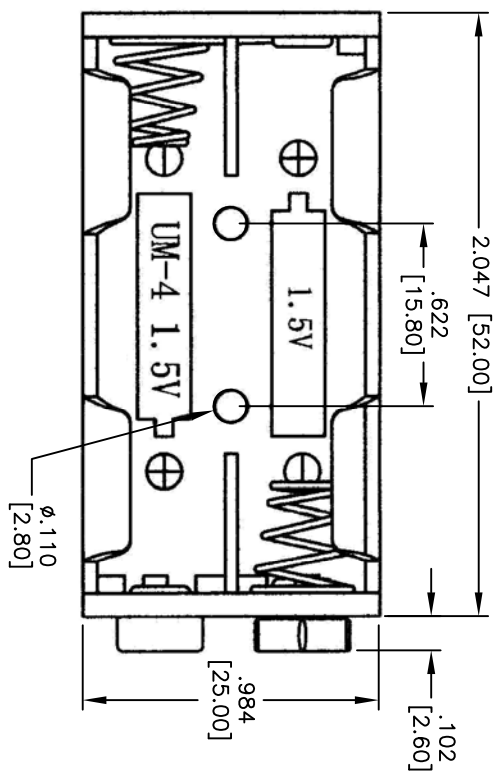
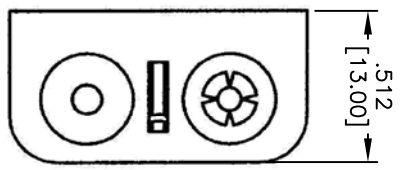


APPROVED: _____
 DATE: _____ TITLE: _____

Rev	AWO #	Description	Date	Appr
-		RELEASED	1/14/05	
A	9723	REDRAWN	8/28/09	



A

A

B

B

C

C

D

D

SPECIFICATIONS:
 Material: P.P. resin, black color
 With 6 prong snap terminal
 Spring: 0.6mm 65C spring wire
 Environmental:
 Lead free, RoHS compliant



UNLESS OTHERWISE SPECIFIED
 ALL DIMENSIONS ARE INCHES [MM]
 TOLERANCES: EXCEPT AS NOTED
 INCHES Holes
 .X ± .10 ØX ± .10
 .XX ± .020 ØXX ± .015
 .XXX ± .015 ØXXX ± .010
 APPROVALS DATE

ADAM TECH
 909 Rahway Avenue, Union, NJ 07083
 Phone: 908-687-5000 Fax: 908-687-5710

DRAWN	SS	1/14/05
CHECKED		
APPROVED		

TITLE	BATTERY HOLDER, FOR TWO "AA" CELLS W/ 6 PRONG SNAP TERMINAL	
SIZE	PART NO.	BH-03-2
REF:	S00021T	SCALE: NTS
REV.	A	

6

5

4

3

2

1