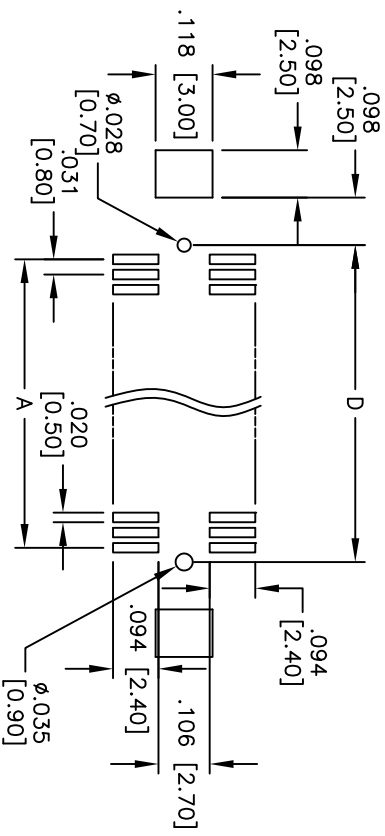
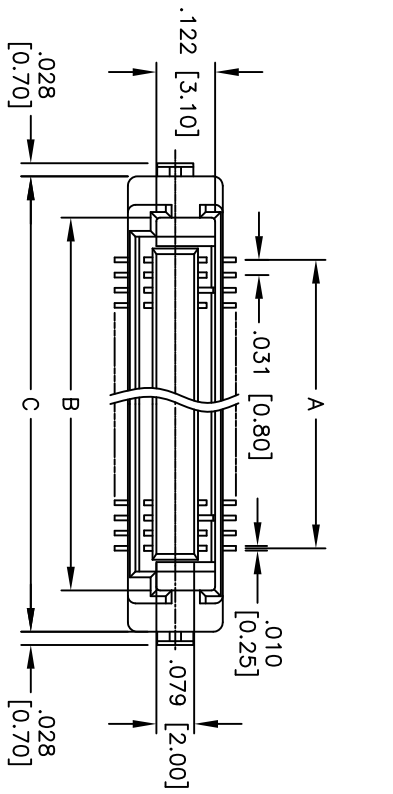
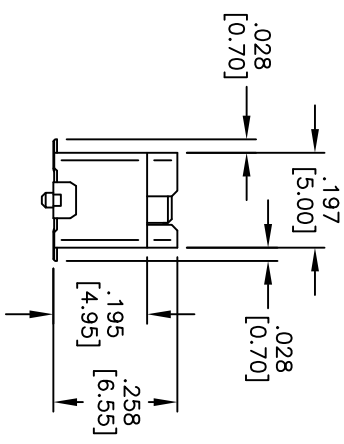
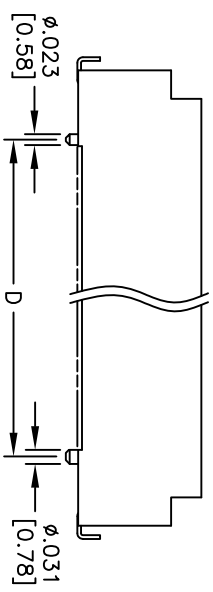


Rev	AWO #	Description	Date	Appr
-		RELEASED	11/10/09	

APPROVED: \_\_\_\_\_  
 DATE: \_\_\_\_\_ TITLE: \_\_\_\_\_



RECOMMENDED PCB LAYOUT



**SPECIFICATIONS:**  
 Material: Insulator: Hi-temp thermoplastic, rated UL 94V-0  
 Insulator color: Black  
 Contacts: Copper Alloy  
 Hold down: Copper Alloy  
 Plating: Gold flash over Nickel underplate overall.  
 Electrical: Operating voltage: 200 VAC max  
 Current rating: 0.5 Amps max  
 Contact resistance: 70 mohms max, initial  
 Insulation resistance: 100 Mohms min  
 Environmental: Lead free, RoHS compliant  
 Recommended soldering temp: 260°C for 5 seconds

Positions: 20, 30, 40, 50, 60  
 A = .031 [0.80] x (No. of Contacts per row - 1) + .175 [4.45]  
 B = .031 [0.80] x (No. of Contacts per row - 1) + .346 [8.80]  
 C = .031 [0.80] x (No. of Contacts per row - 1) + .059 [1.50]  
 D = .031 [0.80] x (No. of Contacts per row - 1) + .059 [1.50]

**ADAM TECH**

909 Rahway Avenue, Union, NJ 07083  
 Phone: 908-687-5000 Fax: 908-687-5710

**A**  
 Operating voltage: 200 VAC max  
 Current rating: 0.5 Amps max  
 Contact resistance: 70 mohms max, initial  
 Insulation resistance: 100 Mohms min  
 Environmental: Lead free, RoHS compliant  
 Recommended soldering temp: 260°C for 5 seconds

TITLE: .031 [0.80] BOARD TO BOARD SOCKET, SMT TYPE  
 6.55 MM HEIGHT, STACKING HEIGHT=5MM

UNLESS OTHERWISE SPECIFIED ALL DIMENSIONS ARE INCHES [MM]	
TOLERANCES: EXCEPT AS NOTED	
INCHES	HOLDS
.X ± .10	ØX ± .10
.XX ± .020	ØXX ± .015
.XXX ± .015	ØXXX ± .010
APPROVALS	DATE
DRAWN	DATE
CHECKED	
APPROVED	

REF: S0028T	PART NO. BB8-SE-XXX-G-6.55	SCALE: NTS	SHEET 1 OF 1
REV.			

