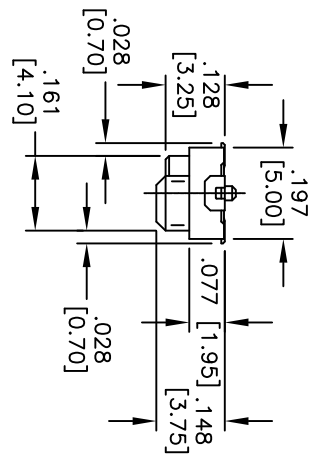
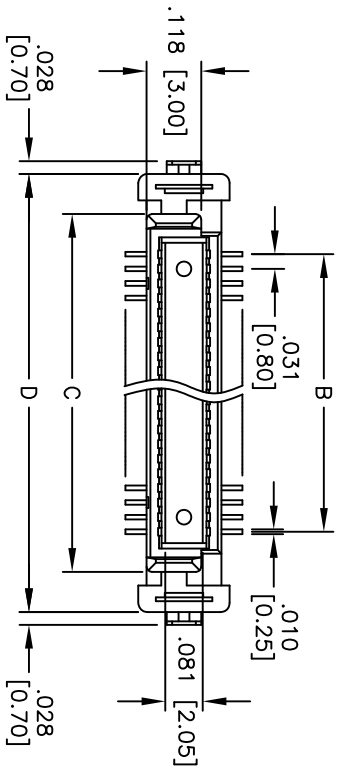
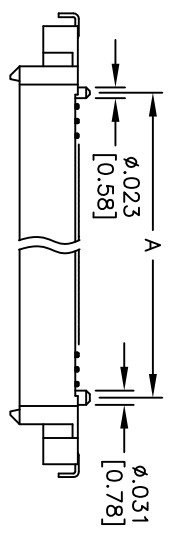


Rev	AWO #	Description	Date	Appr
-		RELEASED	11/10/09	

APPROVED: _____
 DATE: _____ TITLE: _____



RECOMMENDED PCB LAYOUT

Positions: 20, 30, 40, 50, 60
 A = .031 [0.80] x (No. of Contacts per row - 1) + .059 [1.50]
 B = .031 [0.80] x (No. of Contacts per row - 1)
 C = .031 [0.80] x (No. of Contacts per row - 1) + .173 [4.40]
 D = .031 [0.80] x (No. of Contacts per row - 1) + .346 [8.80]

ADAM TECH

909 Railway Avenue, Union, NJ 07083
 Phone: 908-687-5000 Fax: 908-687-5710

TITLE: .031 [0.80] BOARD TO BOARD PLUG, SMT TYPE
 .148 [3.75] HEIGHT, STACKING HEIGHT= 2MM

UNLESS OTHERWISE SPECIFIED ALL DIMENSIONS ARE INCHES [MM]		TOLERANCES: EXCEPT AS NOTED	
INCHES		Holes	
.X	± .10	ØX	± .10
.XX	± .020	ØXX	± .015
.XXX	± .015	ØXXX	± .010
APPROVALS		DATE	
DRAWN	DY	11/10/09	
CHECKED			
APPROVED			
SIZE	PART NO.	SCALE	REV.
X	BB8-PE-XXX-G-.375	NTS	-
REF:	S00728T	SHEET	1 OF 1

SPECIFICATIONS:
 Material: Insulator: Hi-temp thermoplastic, rated UL 94V-0
 Insulator color: Black
 Contacts: Copper Alloy
 Hold down: Copper Alloy
 Plating: Gold flash over Nickel underplate overall.
 Electrical: Operating voltage: 200 VAC max.
 Current rating: 0.5 Amps max.
 Contact resistance: 70 mohms max. initial
 Insulation resistance: 100 Mohms min.
 Environmental: Lead free, RoHS compliant
 Recommended soldering temp: 260°C for 5 seconds

