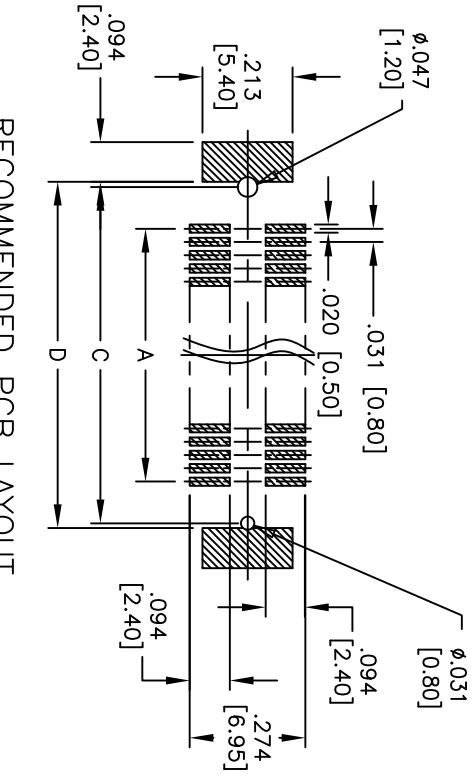
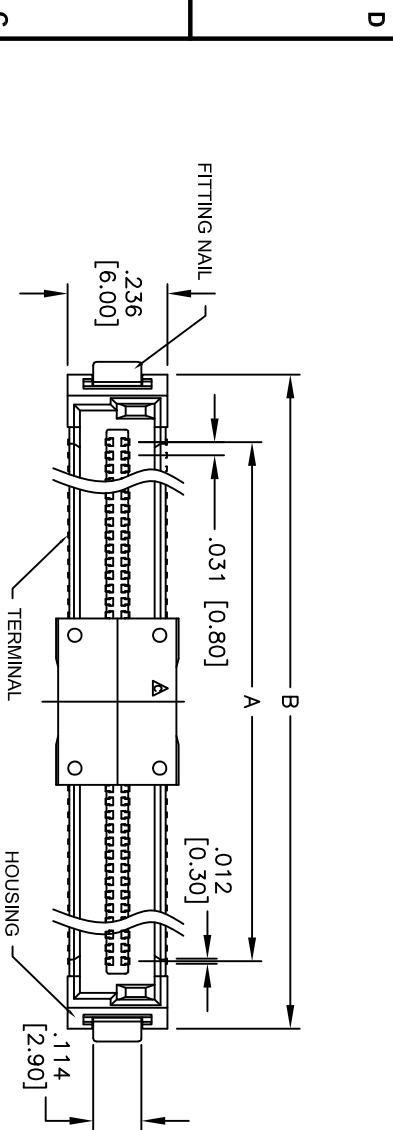


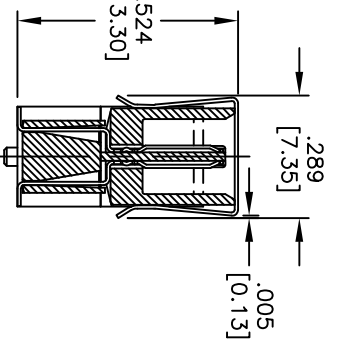
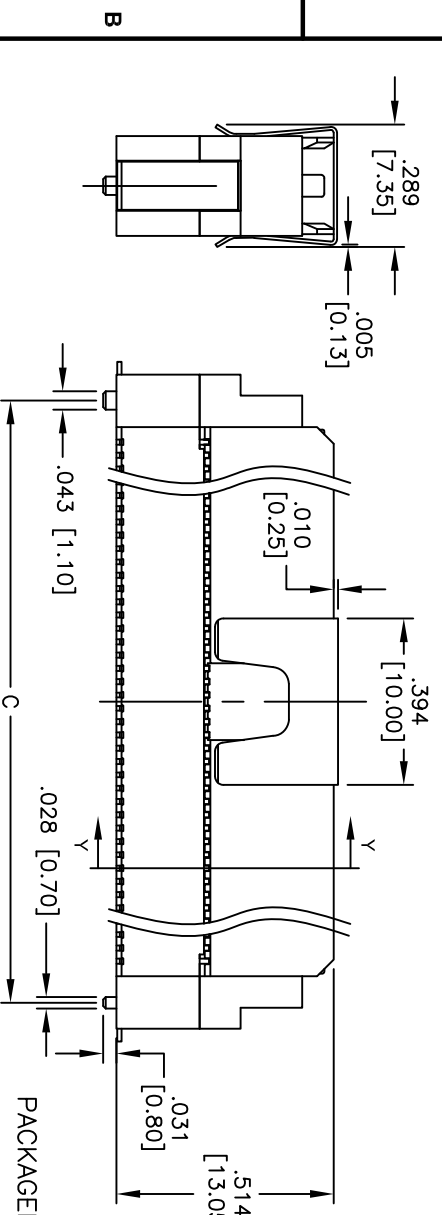
Rev	AWO #	Description	Date	Appr
-		RELEASED	1/5/11	

APPROVED: \_\_\_\_\_

DATE: \_\_\_\_\_ TITLE: \_\_\_\_\_



RECOMMENDED PCB LAYOUT



SECTION Y-Y

**SPECIFICATIONS:**

Material: Insulator: LCP, rated UL 94V-0  
 Contacts: Copper Alloy  
 Fitting Nail: Copper Alloy  
 Plating: Gold flash over Nickel underplate overall.

**Electrical:**

Operating voltage: 100 VAC max  
 Current rating: 0.5 Amps max  
 Contact resistance: 55 mohms max. initial  
 Insulation resistance: 1000 Mohms min

**Temperature Rating:**

Ambient temperature range: -55°C to +85°C  
 Environmental: Lead free, RoHS compliant  
 Recommended soldering temp: 260°C for 5 seconds

**PACKAGED ON TAPE & REEL**

Positions: 20, 40, 60, 80, 100, 120, 140, 160  
 A = .031 [0.80] x No. of Spaces  
 B = .031 [0.80] x No. of Spaces + .319 [8.10]  
 C = .031 [0.80] x No. of Spaces + .197 [5.00]  
 D = .031 [0.80] x No. of Spaces + .220 [5.60]

**ADAM TECH**

909 Railway Avenue, Union, NJ 07083  
 Phone: 908-687-5000 Fax: 908-687-5710

TITLE: .031 [0.80] BOARD TO BOARD PLUG, SMT TYPE  
 HEIGHT=13.05MM

UNLESS OTHERWISE SPECIFIED ALL DIMENSIONS ARE INCHES [MM]		TOLERANCES: EXCEPT AS NOTED	
INCHES		HOLES	
.X ± .10	ØXX ± .10	ØXX ± .10	
.XX ± .020	ØXXX ± .015	ØXXX ± .010	
.XXX ± .015	ØXXXX ± .010		
APPROVALS		DATE	
DRAWN	AY	1/5/11	
CHECKED	SC	1/5/11	
APPROVED			
SIZE	PART NO.	REV.	
X	BB8-PA-XXX-G-13.05-PP-T/R		
REF: S00110T	SCALE: NTS	SHEET 1 OF 1	

