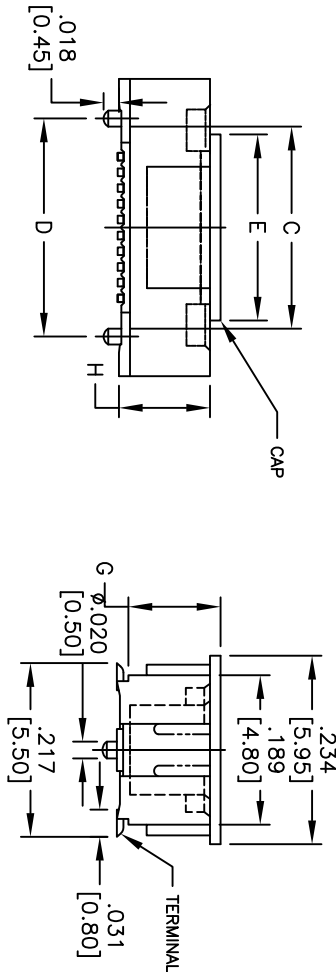
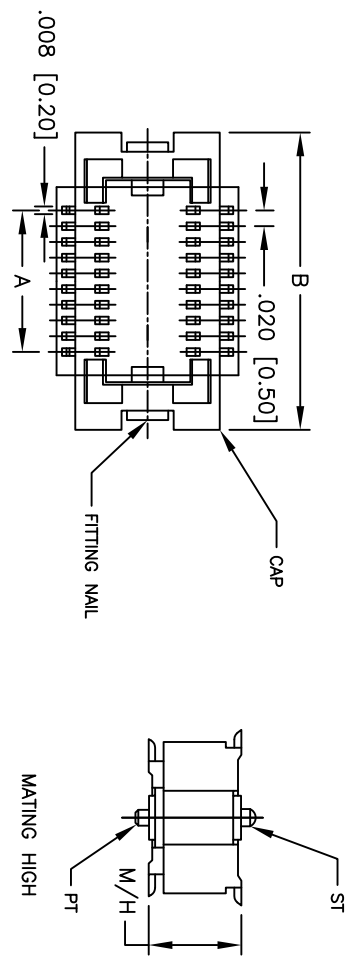


Rev	AWO #	Description	Date	Appr
-		RELEASED	8/23/10	

APPROVED: \_\_\_\_\_  
 DATE: \_\_\_\_\_ TITLE: \_\_\_\_\_

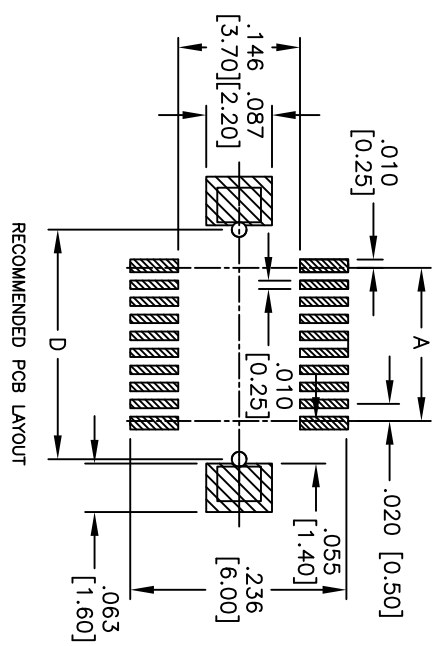


PACKAGED ON TAPE & REEL

**SPECIFICATIONS:**  
 Material: Insulator: Hi-Temp thermoplastic, rated UL 94V-0  
 Insulator color: Black  
 Contacts: Copper Alloy  
 Plating: Gold flash over Nickel underplate on mating area, Tin over Copper underplate on tails

**Electrical:**  
 Operating voltage: 50 VAC max.  
 Current rating: 0.5 Amps max.  
 Contact resistance: 30 mohms max. Initial  
 Insulation resistance: 100 Mohms min@ 100V DC  
 Dielectric withstanding voltage: 100 VAC for 1 minute  
 Temperature Rating: Operating temperature: -20°C to +105°C

Environmental:  
 Lead free, RoHS compliant  
 Recommended soldering temp: 260°C for 5 seconds



Mating Height	Height of Male Dim. H	Dim. G
.079 [2.00]	.059 [1.50]	.047 [1.20]
.098 [2.50]	.079 [2.00]	.059 [1.50]
.118 [3.00]	.098 [2.50]	.079 [2.00]
.138 [3.50]	.118 [3.00]	.098 [2.50]
.157 [4.00]	.138 [3.50]	.118 [3.00]
.197 [5.00]	.157 [4.00]	.138 [3.50]
.236 [6.00]	.197 [5.00]	.157 [4.00]
.276 [7.00]	.236 [6.00]	.197 [5.00]
.315 [8.00]	.276 [7.00]	.236 [6.00]
.354 [9.00]	.315 [8.00]	.276 [7.00]
.394 [10.00]	.354 [9.00]	.315 [8.00]
.433 [11.00]	.394 [10.00]	.354 [9.00]
.472 [12.00]	.433 [11.00]	.394 [10.00]
.512 [13.00]	.472 [12.00]	.433 [11.00]
.551 [14.00]	.512 [13.00]	.472 [12.00]
.591 [15.00]	.551 [14.00]	.512 [13.00]
.630 [16.00]	.591 [15.00]	.551 [14.00]
.669 [17.00]	.630 [16.00]	.591 [15.00]
.692 [17.50]	.669 [17.00]	.630 [16.00]
.715 [18.00]	.692 [17.50]	.669 [17.00]
.738 [18.50]	.715 [18.00]	.692 [17.50]
.761 [19.00]	.738 [18.50]	.715 [18.00]
.784 [19.50]	.761 [19.00]	.738 [18.50]
.807 [20.00]	.784 [19.50]	.761 [19.00]
.830 [20.50]	.807 [20.00]	.784 [19.50]
.853 [21.00]	.830 [20.50]	.807 [20.00]
.876 [21.50]	.853 [21.00]	.830 [20.50]
.899 [22.00]	.876 [21.50]	.853 [21.00]
.922 [22.50]	.899 [22.00]	.876 [21.50]
.945 [23.00]	.922 [22.50]	.899 [22.00]
.968 [23.50]	.945 [23.00]	.922 [22.50]
.991 [24.00]	.968 [23.50]	.945 [23.00]
.1014 [24.50]	.991 [24.00]	.968 [23.50]
.1037 [25.00]	.1014 [24.50]	.991 [24.00]
.1060 [25.50]	.1037 [25.00]	.1014 [24.50]
.1083 [26.00]	.1060 [25.50]	.1037 [25.00]
.1106 [26.50]	.1083 [26.00]	.1060 [25.50]
.1129 [27.00]	.1106 [26.50]	.1083 [26.00]
.1152 [27.50]	.1129 [27.00]	.1106 [26.50]
.1175 [28.00]	.1152 [27.50]	.1129 [27.00]
.1198 [28.50]	.1175 [28.00]	.1152 [27.50]
.1221 [29.00]	.1198 [28.50]	.1175 [28.00]
.1244 [29.50]	.1221 [29.00]	.1198 [28.50]
.1267 [30.00]	.1244 [29.50]	.1221 [29.00]
.1290 [30.50]	.1267 [30.00]	.1244 [29.50]
.1313 [31.00]	.1290 [30.50]	.1267 [30.00]
.1336 [31.50]	.1313 [31.00]	.1290 [30.50]
.1359 [32.00]	.1336 [31.50]	.1313 [31.00]
.1382 [32.50]	.1359 [32.00]	.1336 [31.50]
.1405 [33.00]	.1382 [32.50]	.1359 [32.00]
.1428 [33.50]	.1405 [33.00]	.1382 [32.50]
.1451 [34.00]	.1428 [33.50]	.1405 [33.00]
.1474 [34.50]	.1451 [34.00]	.1428 [33.50]
.1497 [35.00]	.1474 [34.50]	.1451 [34.00]
.1520 [35.50]	.1497 [35.00]	.1474 [34.50]
.1543 [36.00]	.1520 [35.50]	.1497 [35.00]
.1566 [36.50]	.1543 [36.00]	.1520 [35.50]
.1589 [37.00]	.1566 [36.50]	.1543 [36.00]
.1612 [37.50]	.1589 [37.00]	.1566 [36.50]
.1635 [38.00]	.1612 [37.50]	.1589 [37.00]
.1658 [38.50]	.1635 [38.00]	.1612 [37.50]
.1681 [39.00]	.1658 [38.50]	.1635 [38.00]
.1704 [39.50]	.1681 [39.00]	.1658 [38.50]
.1727 [40.00]	.1704 [39.50]	.1681 [39.00]
.1750 [40.50]	.1727 [40.00]	.1704 [39.50]

Position: 10~98, 100, 110, 120, 130, 140, 150, 160  
 A = .020 [0.50] x (No. of Contacts/2 - 1) + .157 [4.00]  
 B = .020 [0.50] x (No. of Contacts/2 - 1) + .079 [2.00]  
 C = .020 [0.50] x (No. of Contacts/2 - 1) + .079 [2.00]  
 D = .020 [0.50] x (No. of Contacts/2 - 1) + .098 [2.50]

UNLESS OTHERWISE SPECIFIED  
 ALL DIMENSIONS ARE IN INCHES [MM]  
 TOLERANCES: EXCEPT AS NOTED

INCHES	Holes
.X ± .10	ØX ± .10
.XX ± .020	ØXX ± .015
.XXX ± .015	ØXXX ± .010
.XXX ± .015	ØXXX ± .010

DRAWN	AY	8/23/10
CHECKED	AW	8/23/10
APPROVED		

**ADAM TECH**  
 909 Railway Avenue, Union, NJ 07083  
 Phone: 908-687-5000 Fax: 908-687-5710

TITLE: .020 [0.50] BOARD TO BOARD SOCKET  
 SMT TYPE

SIZE	PART NO.	REV.
X	BB5-ST-XXX-SG-XX-XX-PP-T/R	-
REF: S00147T	SCALE: NTS	SHEET 1 OF 1