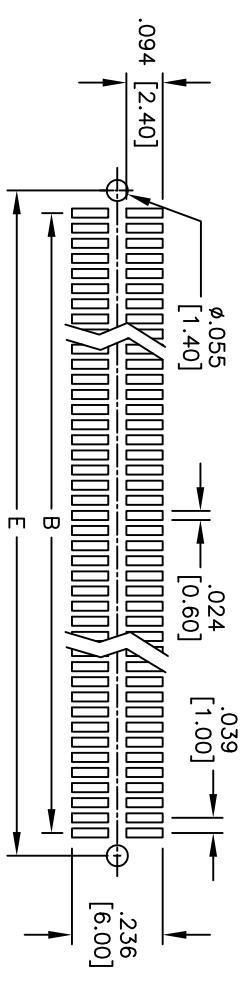
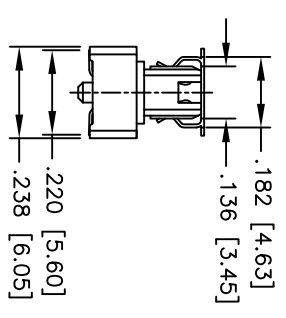
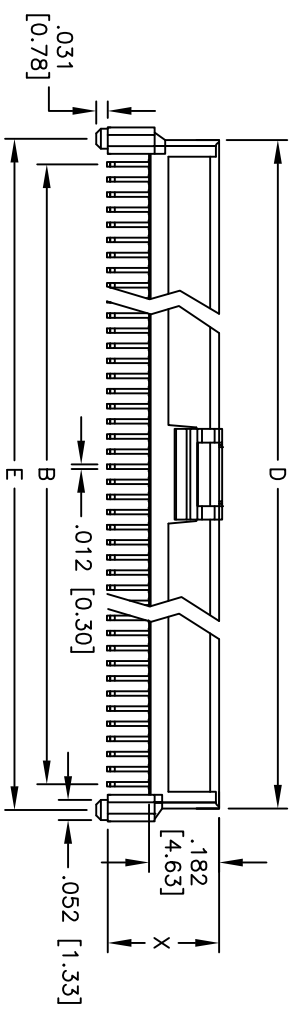
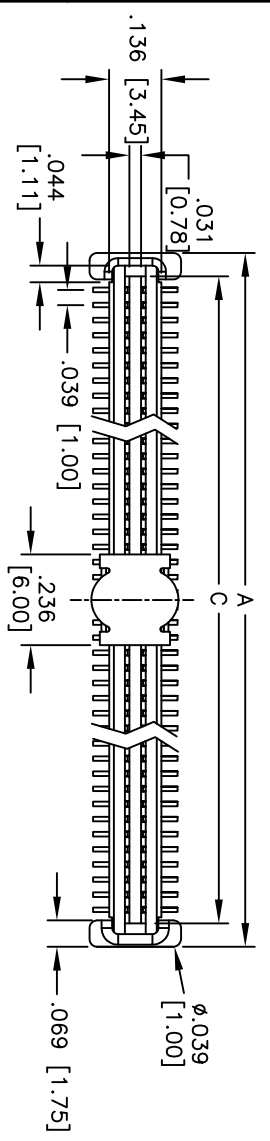


Rev	AWO #	Description	Date	Appr
-		RELEASED	11/26/10	

APPROVED: \_\_\_\_\_ TITLE: \_\_\_\_\_  
 DATE: \_\_\_\_\_



RECOMMENDED PCB LAYOUT

ADAM P/N	X
BB10-SO-XXX-G-5.37-PP-T/R	.211 [5.37]
BB10-SO-XXX-G-7.37-PP-T/R	.290 [7.37]
BB10-SO-XXX-G-8.37-PP-T/R	.330 [8.37]
BB10-SO-XXX-G-10.37-PP-T/R	.408 [10.37]

PACKAGED ON TAPE & REEL

Positions: 7 thru 50 per row  
 A = .039 [1.00] x (No. of Positions per row) + .154 [3.90]  
 B = .039 [1.00] x (No. of Positions per row) - .039 [1.00]  
 C = .039 [1.00] x (No. of Positions per row) + .031 [0.80]  
 D = .039 [1.00] x (No. of Positions per row) + .087 [2.22]  
 E = .039 [1.00] x (No. of Positions per row) + .094 [2.40]

**SPECIFICATIONS:**  
 Material: Insulator: Hi-temp thermoplastic, rated UL 94V-0  
 Insulator color: Gray  
 Contacts: Copper Alloy  
 Pad: Metal  
 Plating: 30u" Gold flash over Nickel underplate overall.  
 Electrical: Current rating: 0.5 Amps  
 Contact resistance: 40 mohms max @ DC 1mA  
 Insulation resistance: 100 Mohms min @ DC 100V  
 Dielectric withstanding voltage: AC 500V for 1 minute  
 Operating Temperature: -25°C to +85°C  
 Environmental: Lead free, RoHS compliant  
 Recommended soldering temp: 260°C for 5 seconds



**ADAM TECH**

909 Railway Avenue, Union, NJ 07083  
 Phone: 908-687-5000 Fax: 908-687-5710

TITLE: .039 [1.00] BOARD TO BOARD SOCKET  
 SMT TYPE, 30U" GOLD PLATED

UNLESS OTHERWISE SPECIFIED ALL DIMENSIONS ARE INCHES [MM] TOLERANCES: EXCEPT AS NOTED INCHES HOLEES	DATE	SIZE	PART NO.	REV.
.X ± .10 .XX ± .020 .XXX ± .015 XXX ± .010	11/26/10	X	BB10-SO-XXX-G-X-XX-30-PP-TR	-
APPROVALS	DATE	REF:	SCALE:	SHEET 1 OF 1
DRAWN AY	11/26/10	S00058T	NTS	
CHECKED AW	11/26/10			
APPROVED				