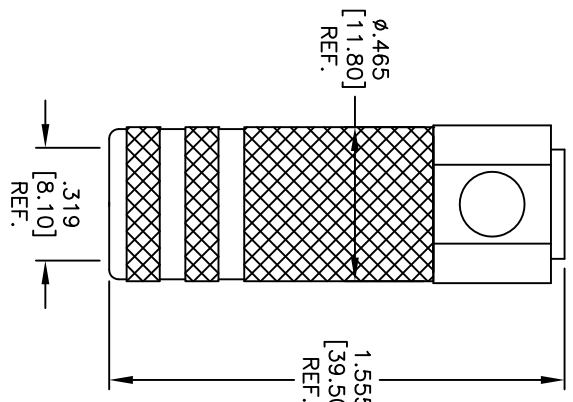
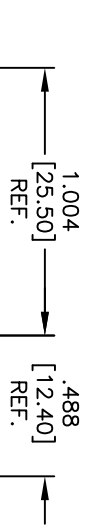
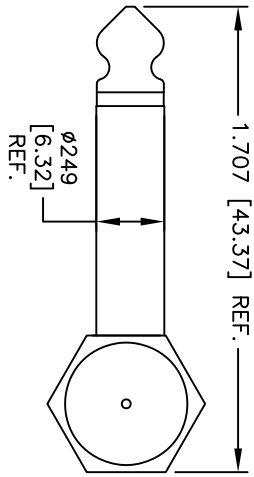


| Rev | AWO # | Description | Date | Appr |
|-----|-------|-------------|---------|------|
| - | | RELEASED | 9/03/10 | |

APPROVED: _____
 DATE: _____ TITLE: _____



A

B

C

D

6

5

4

3

2

1

SPECIFICATIONS:
 Environmental:
 Lead free, RoHS compliant



UNLESS OTHERWISE SPECIFIED
 ALL DIMENSIONS ARE INCHES [MM]
 TOLERANCES: EXCEPT AS NOTED
 INCHES
 .X ± .10 ØX ± .10
 .XX ± .020 ØXX ± .015
 .XXX ± .015 ØXXX ± .010

ADAM TECH
 909 Rahway Avenue, Union, NJ 07083
 Phone: 908-687-5000 Fax: 908-687-5710

| | | |
|----------|----|---------|
| DRAWN | DY | 9/03/10 |
| CHECKED | | |
| APPROVED | | |

| | | |
|--------------|--------------|--------------|
| SIZE | PART NO. | REV. |
| X | ASP-RA-635-A | - |
| REF: S00139T | SCALE: NTS | SHEET 1 OF 1 |

A

B

C

D