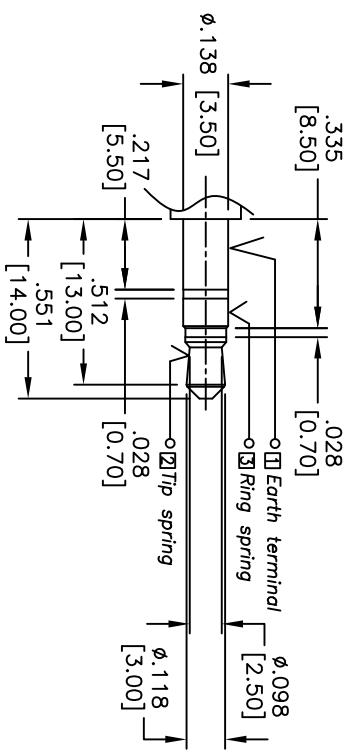
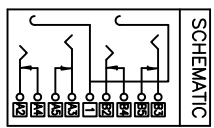
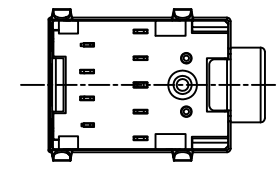
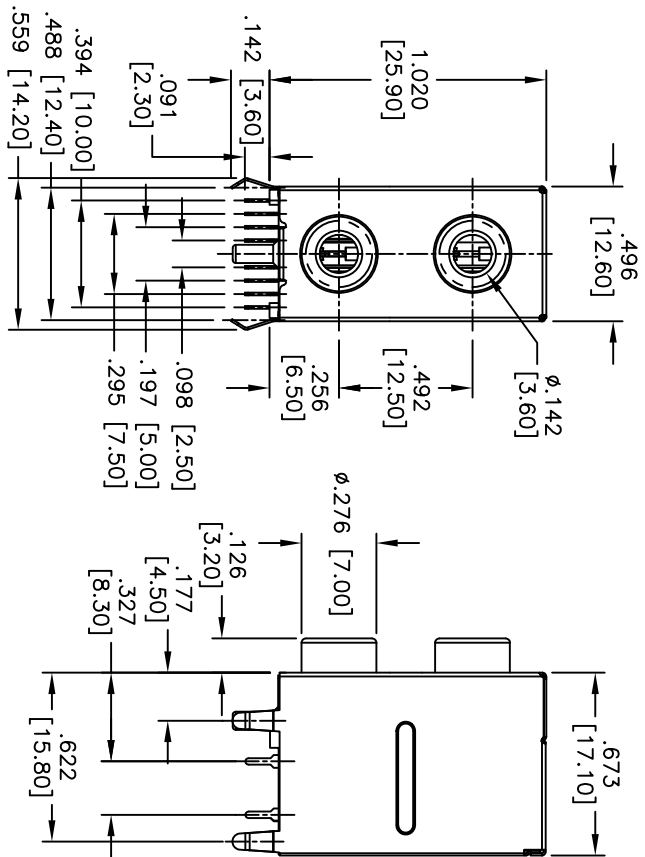
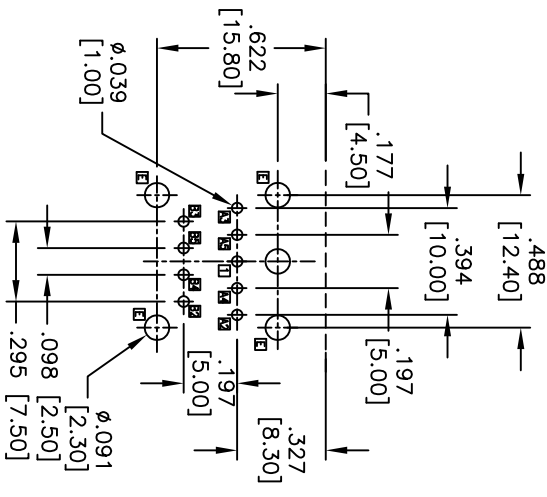


Rev	AWO #	Description	Date	Appr
-	11026	RELEASED	1/14/11	

APPROVED: _____
 DATE: _____ TITLE: _____



RECOMMENDED PCB LAYOUT



MATCHING PLUG

SPECIFICATIONS:
Material: Insulator: PBT, glass reinforced, rated UL 94V-0
 Insulator color: Black
 Contacts: Copper Alloy
 Plating: Gold flash over Nickel underplate overall
Electrical: Rating: DC 30V, 0.5A
 Contact resistance: 30 Mohms max
 Dielectric withstanding voltage: 500 VAC for 1 minute
Environmental: Temperature Rating: Operating temperature: -25°C to +80°C
 Lead free, RoHS compliant
 Recommended soldering temp. 235°C for 5 seconds.

ADAM TECH
 909 Rahway Avenue, Union, NJ 07083
 Phone: 908-687-5000 Fax: 908-687-5710

3.5 DUAL STEREO JACK

UNLESS OTHERWISE SPECIFIED ALL DIMENSIONS ARE INCHES [MM] TOLERANCES: EXCEPT AS NOTED	
.X ± .10	ØX ± .10
.XX ± .020	ØXX ± .015
.XXX ± .015	ØXXX ± .010
APPROVALS	DATE
DRAWN	DY
CHECKED	
APPROVED	

SIZE	PART NO.	REV.
X	ASJ-DP-02-5A	-
REF: 500002C	SCALE: NTS	SHEET 1 OF 1