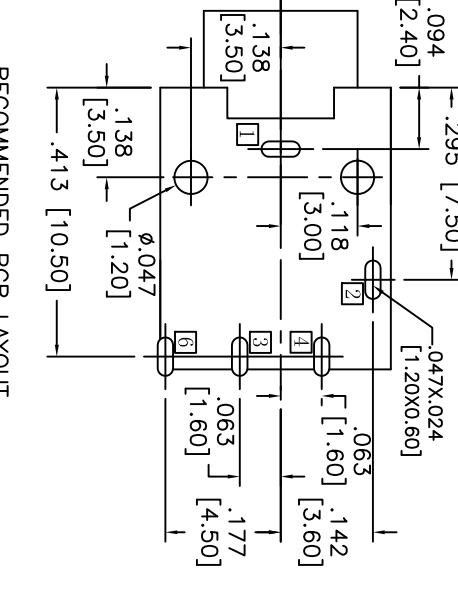
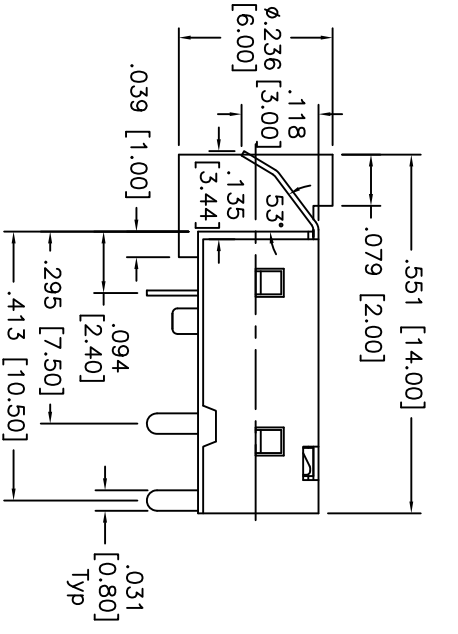
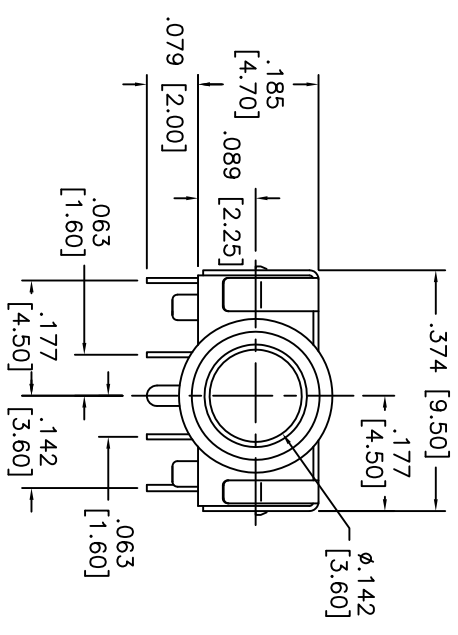
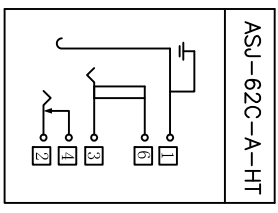
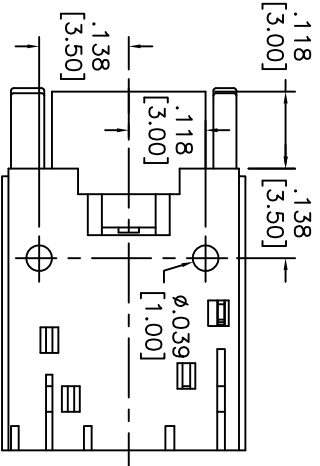
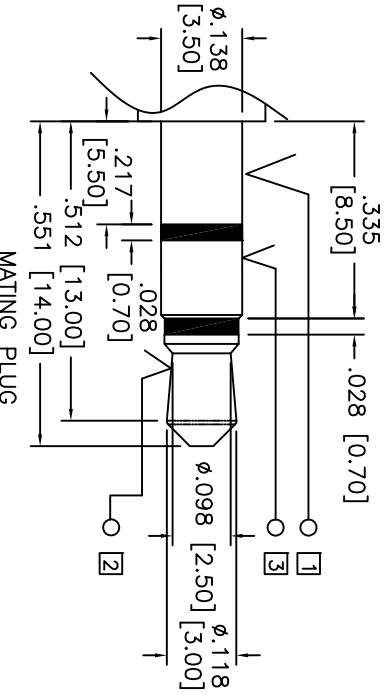


Rev	AWO #	Description	Date	Appr
-		RELEASED	6/11/10	

APPROVED: _____
 DATE: _____ TITLE: _____



RECOMMENDED PCB LAYOUT



SPECIFICATIONS:

Material:
 Insulator: Hi-temp thermoplastic, rated UL 94V-0
 Insulator color: Black
 Contacts: Copper Alloy, Silver plated.
 Shell: Stainless Steel, Nickel plated.

Electrical:
 Operating voltage: 30 VDC max.
 Current rating: 0.5 Amp max.
 Contact resistance: 50 mohms max.
 Insulation resistance: 100 Mohms min.
 Dielectric withstanding voltage: 500 VAC for 1 minute
 Temperature Rating:
 Operating temperature: -20°C to +70°C

Environmental:
 Lead free, RoHS compliant.
 Recommended soldering temp: 260°C for 5 sec.



UNLESS OTHERWISE SPECIFIED ALL DIMENSIONS ARE IN INCHES [MM]	
TOLERANCES: EXCEPT AS NOTED	
INCHES	HOLDS
.X ± .10	ØX ± .10
.XX ± .020	ØXX ± .015
.XXX ± .015	ØXXX ± .010
APPROVALS	DATE
DRAWN	DY
CHECKED	
APPROVED	
	6/11/10

ADAM TECH
 909 Rahway Avenue, Union, NJ 07083
 Phone: 908-687-5000 Fax: 908-687-5710

TITLE: STEREO PHONE JACK, 3.5mm

SIZE	PART NO.	REV.
X	ASJ-62C-A-HT	
REF: S00002C	SCALE: NTS	SHEET 1 OF 1