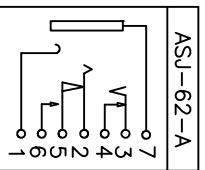
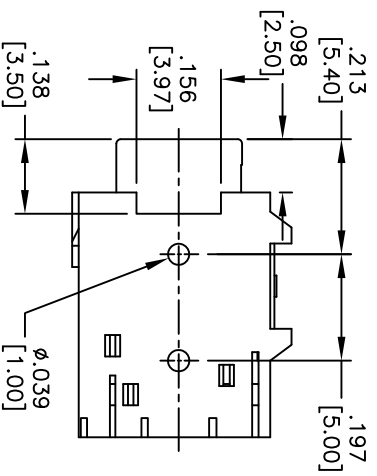
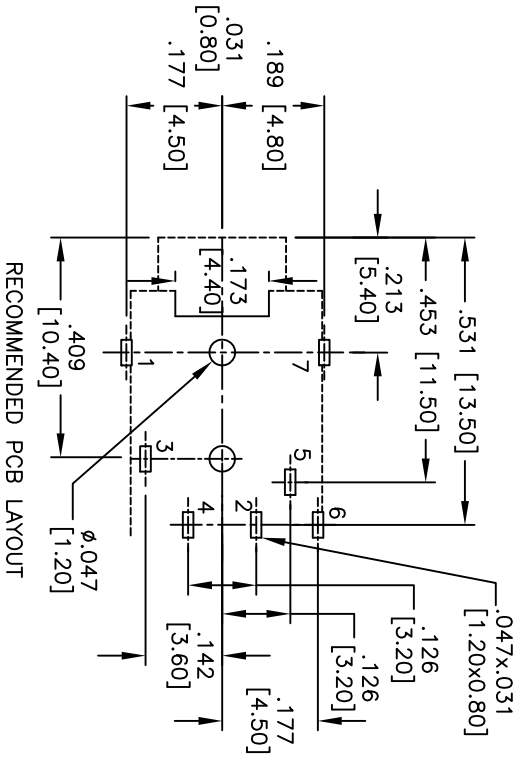
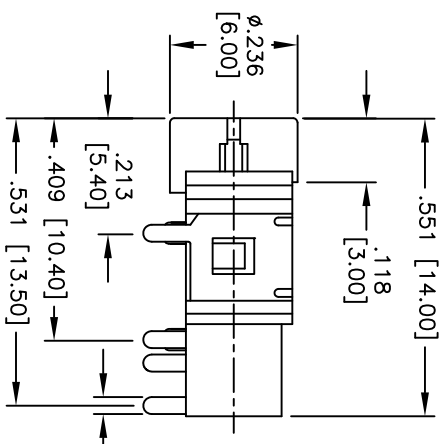
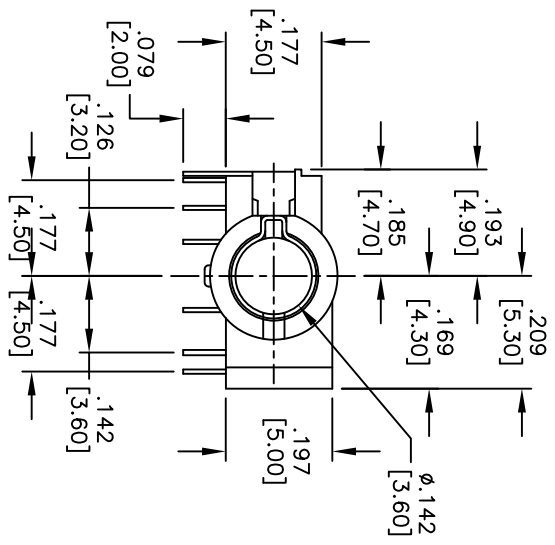


Rev	AWO #	Description	Date	Appr
-		RELEASED	5/11/10	

APPROVED: \_\_\_\_\_  
 DATE: \_\_\_\_\_ TITLE: \_\_\_\_\_



**SPECIFICATIONS:**  
 Material: Insulator: PBT, rated UL 94V-0  
 Insulator color: Black  
 Contacts: Copper Alloy, Silver plated  
**Electrical:**  
 Operating voltage: 30 VDC max.  
 Current rating: 1 Amps max.  
 Contact resistance: 0.03 mohms max. initial  
 Insulation resistance: 100 Mohms min.  
 Dielectric withstanding voltage: 500 VAC for 1 minute  
 Temperature Rating:  
 Operating temperature: -25°C to +70°C  
**Environmental:**  
 Lead free, RoHS compliant.  
 Recommended soldering temp: 235°C for 5 sec.



**ADAM TECH**

909 Railway Avenue, Union, NJ 07083  
 Phone: 908-687-5000 Fax: 908-687-5710

STEREO JACK, PCB MOUNT

UNLESS OTHERWISE SPECIFIED ALL DIMENSIONS ARE INCHES [MM] TOLERANCES: EXCEPT AS NOTED		INCHES		Holes	
.X	± .10	ØXX	± .10		
.XX	± .020	ØXXX	± .015		
.XXX	± .015	ØXXXX	± .010		
APPROVALS		DATE		TITLE	
DRAWN	DY	5/11/10		STEREO JACK, PCB MOUNT	
CHECKED				SIZE PART NO. ASJ-62-A	
APPROVED				REF: S00030C SCALE: MTS SHEET 1 OF 1	