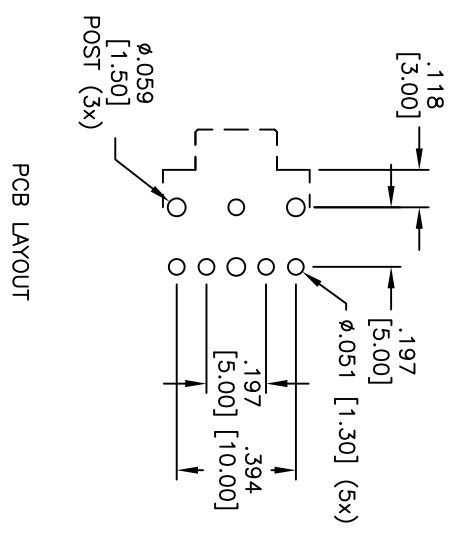
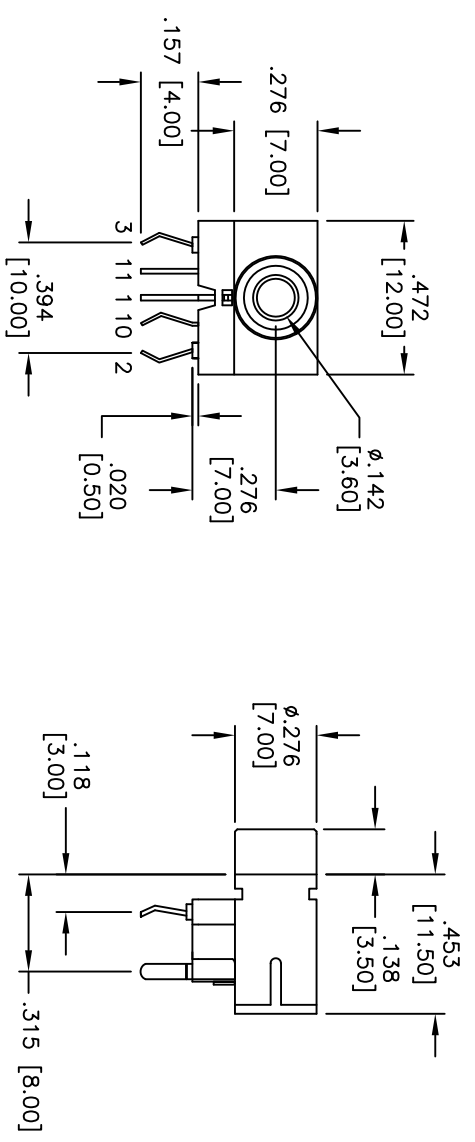


Rev	AWO #	Description	Date	Appr
-		RELEASED	9/21/09	

APPROVED: _____ TITLE: _____
 DATE: _____



CONTACT FORM	ASJ-6-02	ASJ-6-03	ASJ-6-3A	ASJ-6-4A	ASJ-6-4B	ASJ-6-05
SCHEMATIC						

SPECIFICATIONS:

Material:
 Insulator: PBT, Glass reinforced, rated UL 94V-0
 Insulator color: Red
 Contacts: Copper Alloy
 Plating:
 Tin over Copper underplate

Electrical:
 Operating voltage: 12 VDC max.
 Current rating: 1 Amp max.
 Contact resistance: 30 mohms max. initial
 Insulation resistance: 100 Mohms min.
 Dielectric withstanding voltage: 500 VAC for 1 minute
 Temperature Rating:
 Operating temperature: -65°C to +125°C

Environmental:
 Lead free, RoHS compliant.
 Recommended soldering temp: 235°C for 5 sec.



UNLESS OTHERWISE SPECIFIED ALL DIMENSIONS ARE INCHES [MM]	
TOLERANCES: EXCEPT AS NOTED	
INCHES	HOLDS
.X ± .10	± .10
.XX ± .020	± .015
.XXX ± .015	± .010
ØXXX	± .010
APPROVALS	DATE
DRAWN	DY
CHECKED	9/21/09
APPROVED	

ADAM TECH
 909 Railway Avenue, Union, NJ 07083
 Phone: 908-687-5000 Fax: 908-687-5710

TITLE: STEREO JACK, COLOR RED

SIZE	PART NO.	REV.
X	ASJ-6-XX-R	
REF:	SCALE: NTS	SHEET 1 OF 1